

# V-BLADE LEVELER



**T. G. SCHMEISER®**

## **OPERATION AND PARTS MANUAL**

*Read and understand the manual. This manual provides information and procedures to safely operate and maintain the V-Blade Leveler.*







## CONTENTS

<b>INTRODUCTION</b> . . . . .	<b>4</b>	<b>MAINTENANCE</b> . . . . .	<b>19</b>
Engineered for Long Life. . . . .	4	Personal Safety . . . . .	19
Serial Number Information . . . . .	4	General Maintenance Safety . . . . .	19
Replacement Parts . . . . .	4	Lubrication Points . . . . .	20
Warranty Information. . . . .	4	Welding Repairs . . . . .	20
Serial Number Location . . . . .	4	Ground Engaging Components . . . . .	20
Factory Contact Information . . . . .	4	Front and Rear Blade Replacement. . . . .	20
Dealer Contact Information . . . . .	4	Rear Wear Plate Replacement . . . . .	21
<b>SPECIFICATIONS</b> . . . . .	<b>5</b>	Side Wear Blade Replacement . . . . .	21
V-Blade Leveler (Standard Model). . . . .	5	Middle Buster Replacement . . . . .	21
V-Blade/Roller Leveler (Roller Model) . . . . .	5	Berm Scraper Wear Plate Replacement . . . . .	21
<b>SAFETY</b> . . . . .	<b>6</b>	Maintenance Schedule . . . . .	22
General . . . . .	6	Bolt Torque Requirements . . . . .	23
Safety Alert Symbols. . . . .	6	<b>STORAGE</b> . . . . .	<b>24</b>
Safety Icons Nomenclature . . . . .	7	Safety . . . . .	24
Personal Protection/Important Information . . . . .	7	Storage Preparation . . . . .	24
Prohibited Actions . . . . .	7	Placing In Storage . . . . .	24
Hazard Avoidance . . . . .	7	Removing From Storage. . . . .	24
General Operating Safety . . . . .	8	<b>PARTS SECTION</b> . . . . .	<b>25</b>
Transport Safety . . . . .	8	Ordering Parts . . . . .	25
Operation Safety . . . . .	8	V-Blade Leveler Bucket Assembly . . . . .	25
Maintenance Safety . . . . .	8	V-Blade Leveler Front and Rear Blades . . . . .	26
Disposal of Equipment at End of Useful Life. . . . .	8	V-Blade Leveler Side Blades . . . . .	27
<b>SAFETY SIGNS AND DECALS</b> . . . . .	<b>9</b>	V-Blade Leveler Berm Scraper Assembly . . . . .	29
Safety Sign Placement. . . . .	9	V-Blade Leveler Rear Roller Assembly . . . . .	30
Safety Signs . . . . .	10	<b>LIMITED WARRANTY STATEMENT</b> . . . . .	<b>31</b>
<b>COMPONENT NOMENCLATURE</b> . . . . .	<b>11</b>		
Component Locations . . . . .	11		
<b>OPERATION</b> . . . . .	<b>12</b>		
User Safety Training . . . . .	12		
Tractor Requirements . . . . .	13		
Tractor Safety Devices . . . . .	13		
ROPS and Seat Belt. . . . .	13		
3-Point Hitch. . . . .	13		
Attaching to Tractor . . . . .	14		
Setting the V-blade leveler. . . . .	14		
Implement Break-In . . . . .	15		
General Operating Instructions . . . . .	15		
Berm Scrapers (Optional Equipment) . . . . .	16		
Detaching From Tractor . . . . .	16		
<b>TRANSPORTING</b> . . . . .	<b>17</b>		
Transporting Safety (Road) . . . . .	17		

## INTRODUCTION

Your Schmeiser V-Blade Leveler (implement) is the ideal pre- and post- harvest tool for leveling orchard floors. The V-Blade Leveler will knock down the high spots and fill in the low areas with a single pass.

This manual has been prepared to instruct the user in the safe and efficient operation of this implement. Read and understand the manual thoroughly and follow all instructions carefully.

### Engineered for Long Life

The V-Blade Leveler is designed to provide many years of dependable service when used and maintained properly.

### Serial Number Information

Record the serial number, model number, and date purchased in the space provided in the Serial Number Location section. Be sure to have this information whenever contacting the dealer to order parts or attachments for this implement.

### Replacement Parts

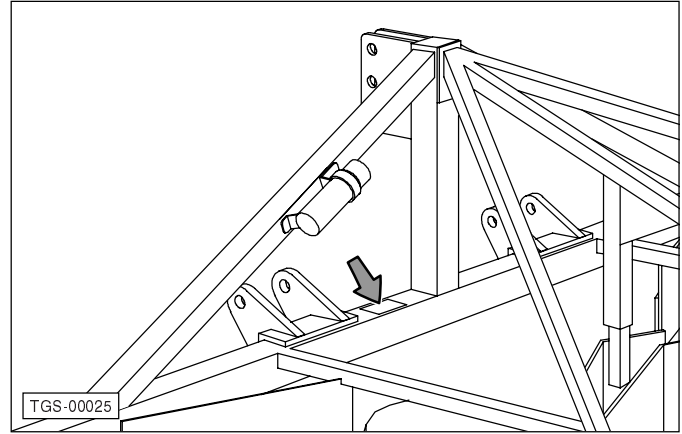
Should this implement require replacement parts, contact your local Schmeiser dealer. Always order genuine Schmeiser OEM replacement parts.

### Warranty Information

It is important that the Warranty Card be completed and sent to Schmeiser. The warranty will not be valid until the information is on file at Schmeiser. If information not contained in this manual is needed, contact your Schmeiser dealer.

Thank you for buying a Schmeiser V-Blade Leveler.

## Serial Number Location



Serial No. \_\_\_\_\_

Model No. \_\_\_\_\_

Date Purchased. \_\_\_\_\_

Dealer Name. \_\_\_\_\_

### Factory Contact Information

For questions not answered in this manual, if additional copies are required, or the manual is damaged, please contact your local dealer or:

T. G. Schmeiser Co., Inc.  
P.O. Box 1392  
Selma, CA 93662

Phone: (559) 268-8128  
Fax: (559) 268-3279  
E-mail: sales@tgschmeiser.com  
Web: www.tgschmeiser.com

Additional copies of this manual can also be downloaded at [www.tgschmeiser.com](http://www.tgschmeiser.com).

### Dealer Contact Information

For replacement decals, questions, or to order parts, contact your dealer:





## SPECIFICATIONS

### V-Blade Leveler (Standard Model)

Model	Size	Width	Length	Weight	Recommended HP
<b>VBL-08</b>	8' (2.4 m)	8' 2" (2.5 m)	8' 6" (2.6 m)	1460 lbs. (662 kg)	40 - 55
<b>VBL-09</b>	9' (2.7m)	9' 2" (2.8m)	8' 6" (2.6 m)	1550 lbs. (703 kg)	40 - 60
<b>VBL-10</b>	10' (3.0 m)	10' 2" (3.1 m)	8' 6" (2.6 m)	1640 lbs. (744 kg)	50 - 65
<b>VBL-11</b>	11' (3.4 m)	11' 2" (3.4 m)	8' 6" (2.6 m)	1730 lbs. (785 kg)	55 - 70
<b>VBL-12</b>	12' (3.6 m)	12' 2" (3.7 m)	8' 6" (2.6 m)	1820 lbs. (826 kg)	60 - 75
<b>VBL-13</b>	13' (3.9 m)	13' 2" (4.0 m)	8' 6" (2.6 m)	1910 lbs. (866 kg)	65 - 80
<b>VBL-14</b>	14' (4.2 m)	14' 2" (4.3 m)	8' 6" (2.6 m)	1990 lbs. (903 kg)	75 - 90
<b>VBL-15</b>	15' (4.5 m)	15' 2" (4.6 m)	8' 6" (2.6 m)	2080 lbs. (943 kg)	75 - 95
<b>VBL-16</b>	16' (4.9 m)	16' 2" (4.9 m)	8' 6" (2.6 m)	2150 lbs. (975 kg)	80 - 100
<b>VBL-17</b>	17' (5.2 m)	17' 2" (5.2 m)	8' 6" (2.6 m)	2240 lbs. (1016 kg)	85 - 105
<b>VBL-18</b>	18' (5.4 m)	18' 2" (5.5 m)	8' 6" (2.6 m)	2330 lbs. (1057 kg)	90 - 110

### V-Blade/Roller Leveler (Roller Model)

Model	Size	Width	Length	Weight	Recommended HP
<b>VBL-08R</b>	8' (2.4 m)	8' 6" (2.6 m)	8' 6" (2.6 m)	1520 lbs. (689 kg)	40 - 55
<b>VBL-09R</b>	9' (2.7m)	9' 6" (2.9m)	8' 6" (2.6 m)	1615 lbs. (733 kg)	40 - 60
<b>VBL-10R</b>	10' (3.0 m)	10' 6" (3.2 m)	8' 6" (2.6 m)	1710 lbs. (776 kg)	50 - 65
<b>VBL-11R</b>	11' (3.4 m)	11' 6" (3.5 m)	8' 6" (2.6 m)	1790 lbs. (812 kg)	55 - 70
<b>VBL-12R</b>	12' (3.6 m)	12' 6" (3.8 m)	8' 6" (2.6 m)	1900 lbs. (862 kg)	60 - 75
<b>VBL-13R</b>	13' (3.9 m)	13' 6" (4.1 m)	8' 6" (2.6 m)	1995 lbs. (905 kg)	65 - 80
<b>VBL-14R</b>	14' (4.2 m)	14' 6" (4.4 m)	8' 6" (2.6 m)	2080 lbs. (943 kg)	75 - 90
<b>VBL-15R</b>	15' (4.5 m)	15' 6" (4.7 m)	8' 6" (2.6 m)	2175 lbs. (987 kg)	75 - 95
<b>VBL-16R</b>	16' (4.9 m)	16' 6" (5.0 m)	8' 6" (2.6 m)	2250 lbs. (1021 kg)	80 - 100
<b>VBL-17R</b>	17' (5.2 m)	17' 6" (5.3 m)	8' 6" (2.6 m)	2345 lbs. (1064 kg)	85 - 105
<b>VBL-18R</b>	18' (5.4 m)	18' 6" (5.6 m)	8' 6" (2.6 m)	2440 lbs. (1107 kg)	90 - 110

## SAFETY

### General

The safe operation of any implement is an important concern to farmers and manufacturers. Safety of the operator and bystanders is one of the main concerns in designing and developing a new implement. There are obvious and hidden potential hazards involved in the operation of this implement. Carefully read and follow all safety precautions before operation. Serious injury or death may occur unless care is taken to ensure the safety of both the operator and any other persons in the area. Avoid potential danger by taking extra time for thought and a more careful approach to the use of this implement.

Most work related accidents are caused by failure to observe basic safety rules or precautions. An accident can often be avoided by recognizing potentially hazardous situations before an accident occurs. As you assemble, operate, or maintain the unit, you must be alert to potential hazards. You should also have the necessary training, skills, and tools to perform any assembly or maintenance procedures.

Improper operation and maintenance of this unit could result in a dangerous situation that could cause injury or death.

### **WARNING**



**Do not use or transport the unit until you read and understand the information contained in this manual.**



**Safety precautions and warnings are provided in this manual and on the unit. If these hazard warnings are not heeded, bodily injury or death could occur to you or to other persons.**

T. G. Schmeiser cannot anticipate every possible circumstance that might involve a potential hazard. The warnings in this manual and on the product are, therefore, not all-inclusive. If a method of operation not specifically recommended by us is used, you must satisfy yourself that it is safe for you and for others. You should also ensure that the unit will not be damaged or be made unsafe by the methods that you choose.

The information, specifications, and illustrations in this manual are based on the information that was available at the time this material was written and are subject to change without notice.

### Safety Alert Symbols



This is the safety alert symbol. It is used to alert you to potential personal injury hazards. Obey all safety messages that follow this symbol to avoid possible injury or death.

This manual contains DANGERS, SAFETY INSTRUCTIONS, CAUTIONS, IMPORTANT NOTICES, and NOTES which must be followed to prevent the possibility of improper service, damage to the equipment, personal injury, or death. The following key words call the readers attention to potential hazards.

Hazards are identified by the "Safety Alert Symbol" and followed by a signal word such as "DANGER", "WARNING", or "CAUTION".

### **DANGER**

**Indicates an imminently hazardous situation which, if not avoided, will result in death or serious injury. This signal word is limited to the most extreme situations.**

### **WARNING**

**Indicates a potentially hazardous situation which, if not avoided, could result in death or serious injury.**

### **CAUTION**

**Indicates a potentially hazardous situation which, if not avoided, may result in minor or moderate injury.**

### **NOTICE**

*Indicates that equipment or property damage can result if instructions are not followed.*

### **SAFETY INSTRUCTIONS**



**Safety instructions (or equivalent) signs indicate specific safety-related instructions or procedures.**


**Note:** Contains additional information important to a procedure.

### Safety Icons Nomenclature


This manual and the equipment has numerous safety icons. These safety icons provide important operating instructions which alert you to potential personal injury hazards.

### Personal Protection/Important Information

-  Read the manual
-  Think safety
-  Maintenance procedure
-  Weight Rating
-  Eye protection
-  Hand protection
-  Head protection
-  Hearing protection
-  Inspect equipment
-  OEM parts only
-  Place in neutral
-  Protective shoes
-  Remove key
-  Damaged hazard label
-  Set parking brake
-  Slow vehicle placard
-  Stop engine

-  Support stand usage
-  Use proper tools
-  Visually inspect
-  Use ROPS
-  Use correct parts

### Prohibited Actions

-  Do not alter or modify
-  Do not leave out tools
-  Do not weld
-  No alcohol
-  No children
-  No drugs
-  No passengers
-  No riders
-  No bystanders
-  No children

### Hazard Avoidance

-  Block wheels
-  Crushing hazard (body)
-  Crush hazard (foot)
-  Crush hazard (rolling over)
-  Defective or broken part
-  Falling hazard
-  Maintain safe distance
-  Overturn hazard
-  Pinch point hazard
-  Safety alert symbol
-  Sharp object hazard
-  Zero pressure
-  Compressed air hazard
-  Crush hazard
-  Crush hazard

**General Operating Safety**

**⚠️ WARNING**

**Read And Understand Manual**  
 To prevent personal injury or even death, be sure you read and understand all of the instructions in this manual and other related OEM equipment manuals! This equipment is dangerous to children and persons unfamiliar with its operation. The operator should be a responsible adult familiar with farm machinery and trained in this equipment's operations. Do not allow persons to operate or maintain this unit until they have read this manual and have developed a thorough understanding of the safety precautions and how it works.

This unit was designed for a specific application; **DO NOT** modify or use this unit for any application other than that for which it was designed.

Units operated improperly or by untrained personnel can be dangerous!

**Fall Hazard**  
 Do not use this implement as a work platform. Do not stand on top of the unit at any time. Do not allow riders on the tractor or the implement.

**Crush Hazard (Rolling Over)**  
 When disconnecting the unit or leaving the operator's seat:

1. Stop the tractor.
2. Shut off the engine and remove the ignition key.
3. Set the brakes.

**Injury Hazard**  
 Do not permit children to play on or around the stored unit.

**Impaired Operator Hazard**  
 Do not attempt to operate this unit under the influence of drugs or alcohol. Review the safety instructions with all users annually.

**⚠️ WARNING**

**Personal Protection Equipment**

When working around or operating this unit, wear appropriate personal protective equipment. This list includes but is not limited to:



- A hard hat
- Protective shoes with slip resistant soles
- Protective goggles, glasses, or face shield
- Heavy gloves and protective clothing

**SAFETY INSTRUCTIONS**

To prevent injury, use a tractor equipped with a Roll Over Protective System (ROPS).

**Visually Inspect**  
 Visually inspect the unit for any loose bolts, worn parts, or cracked welds, and make necessary repairs before using the unit.

**Transport Safety**

For transport safety information, refer to "Transporting" on page 17.

**Operation Safety**

For operating safety information, refer to "Operation" on page 12.

**Maintenance Safety**

For maintenance safety information, refer to "Maintenance" on page 19.

**Disposal of Equipment at End of Useful Life**

The T. G. Schmeiser V-Blade Leveler has been designed for the specific purpose of leveling the ground in agricultural applications. When this unit is no longer capable of doing its designed purpose, it should be dismantled and scrapped. Do not use any materials or components from this unit for any other purpose.



## SAFETY SIGNS AND DECALS

### SAFETY INSTRUCTIONS

Follow all operating, maintenance, and safety instructions found in this manual.

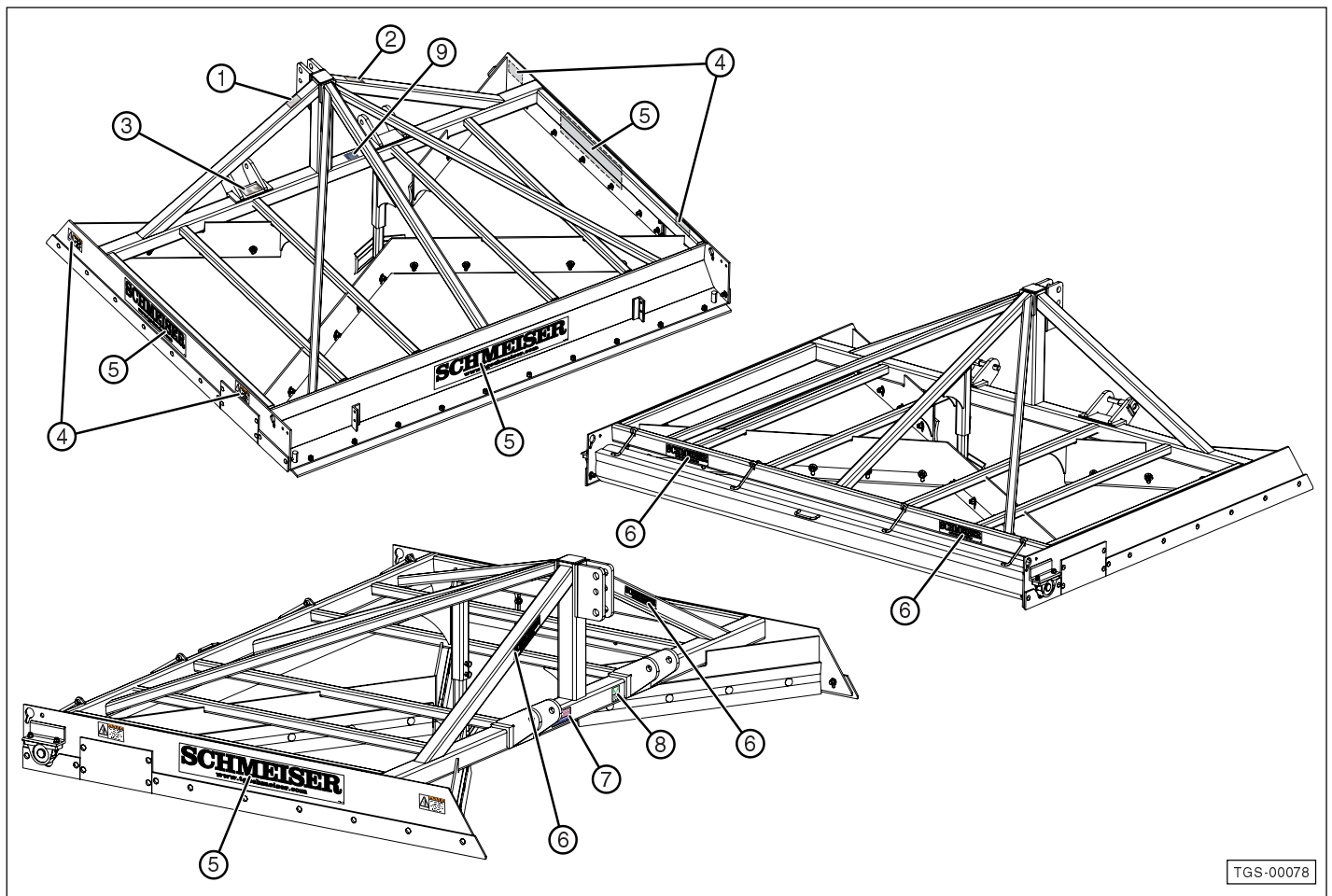


Replace all worn or damaged safety and instruction decals.

- It is the responsibility of the customer to know the marking requirements of the local highway authorities and to comply with the regulations.
- Keep safety signs clean and legible at all times. Replace safety signs that are missing or have become illegible.
- Do not paint over, remove, or deface any safety signs or instructional decals on your equipment. Observe all safety signs and follow the instructions on them.

- When parts that display a safety sign are replaced, the replacement part should display the same sign.
- Make sure the safety signs and other instructional decals are legible and attached to the unit before use.
- Safety signs are available from your Distributor, Dealer Parts Department, or the factory.
- Use care when washing or cleaning the unit not to remove or damage the labels.
- Locations for the labels and replacement part numbers are shown in this section.

### Safety Sign Placement

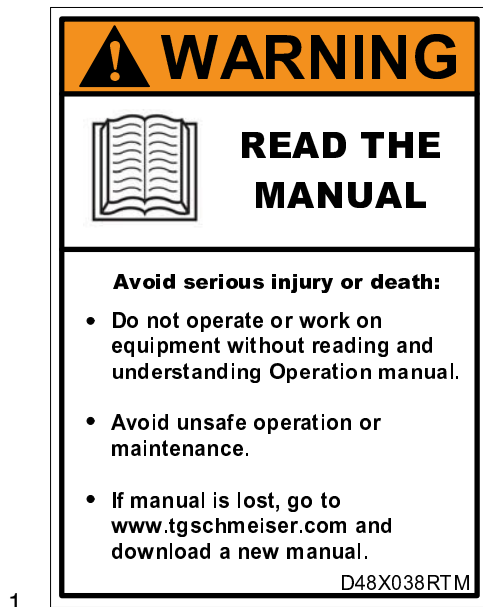


TGS-00078

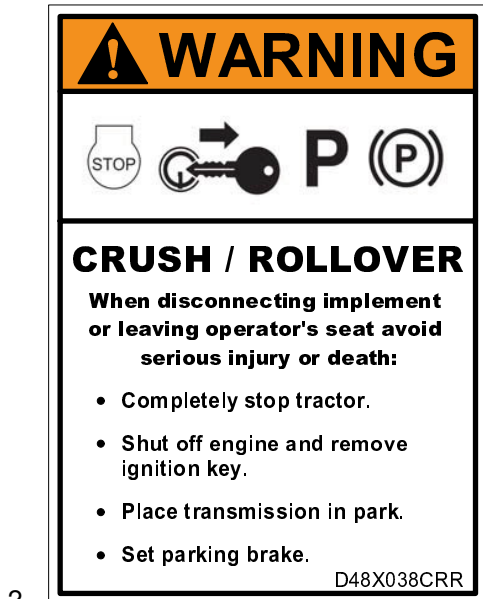
**Safety Signs**

Item	Part Number	Description	Qty.
1	D48X038RTM	Read the Manual	1
2	D48X038CRR	Crush / Rollover Hazard	1
3	D28X048PPT	Pinch Point	2
4	D28X048RBW	Sharp Cutting Edge	4
5	D104608BLK	Schmeiser (37")	2
6	D32X208TGS	Schmeiser (13")	2*
7	D32X048RBC	Made in the USA	1
8	DFEMALOGO1	FEMA	1
9	D48X48QR	Scan to Access Online Manual	1

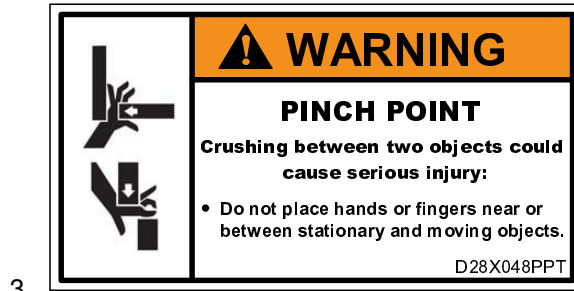
\*Four used on roller models.



1.



2.



3.



4.



5.



6.



7.



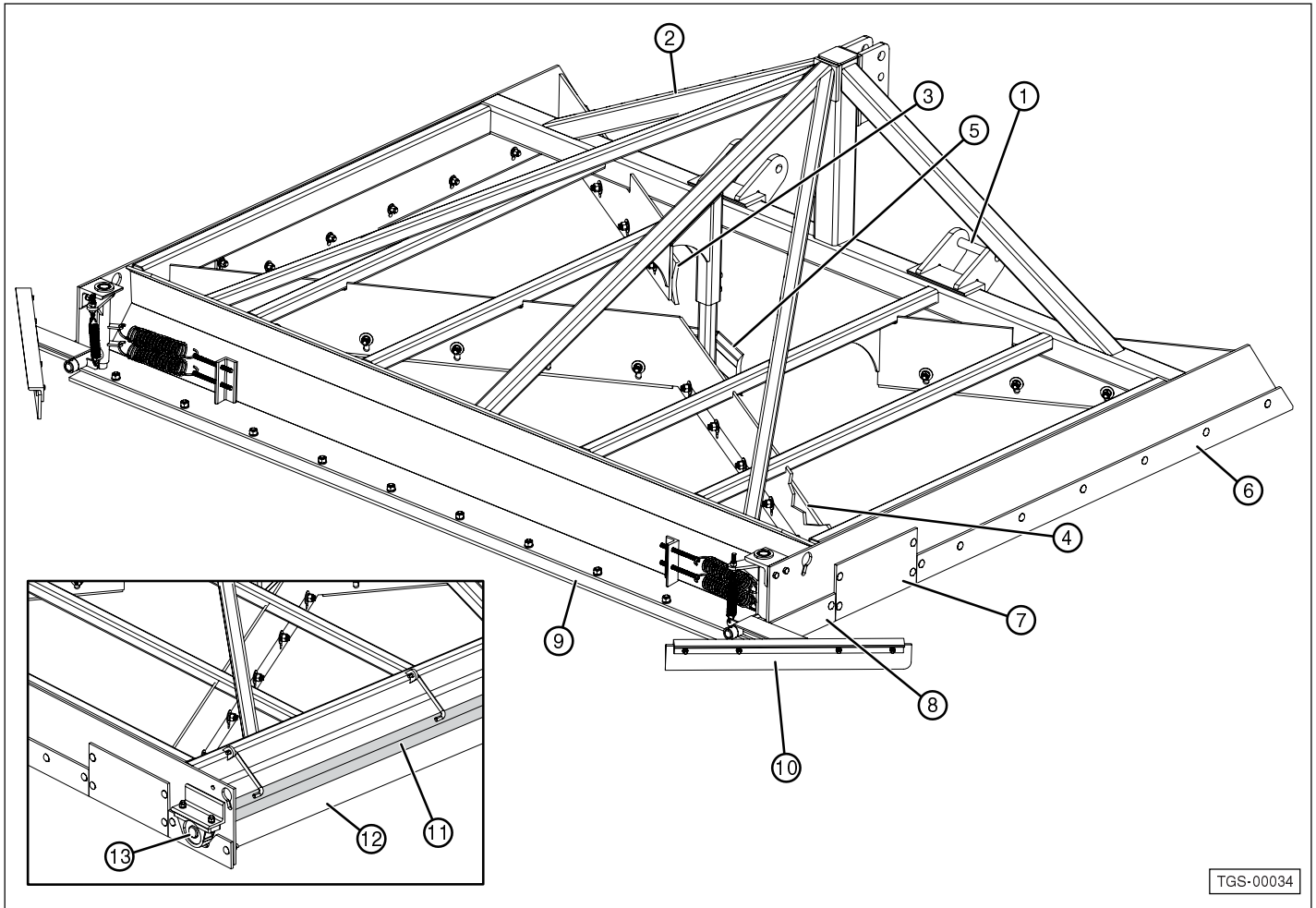
8.



9.

## COMPONENT NOMENCLATURE

### Component Locations



Item	Description
1	3-Point Hitch Lift Pin
2	Main Frame
3	Front Blade
4	Rear Blade
5	Middle Buster
6	Front Side Wear Blade
7	Trap Door
8	Rear Side Wear Blade
9	Rear Wear Plate
<b>Optional Equipment</b>	
10	Berm Scraper
11	Mud Scraper
12	Rear Roller
13	Rear Roller Bearing

## OPERATION

### User Safety Training

Refer to "General Operating Safety" on page 8 for user safety training requirements.

## WARNING

To prevent serious injury or death, follow these safety instructions



#### Read And Understand Manual

Make sure that anyone who will be operating, maintaining, or working around the unit, reads and understands all the operating, maintenance, and safety information in this manual and other related OEM equipment manuals before operating, maintaining, or working around the unit.



#### Crush Hazard (Rolling Over)

Do not clean, lubricate, or make adjustments while the unit is moving.



#### Crush Hazard (Rolling Over)

When disconnecting the unit or leaving the operator's seat:

1. Stop the tractor.
2. Shut off the engine and remove the ignition key.
3. Set the brakes.



#### Overturn Hazard

Pick the most level route possible when transporting across fields. Avoid the edges of ditches, gullies, or steep hillsides.



#### Safe Distance

Keep all bystanders, pets, and livestock clear of the work area, particularly when raising or lowering the unit.



#### Fall Hazard

Do not use this implement as a work platform. Do not stand on top of the implement at any time. Do not ride on the tractor or the implement or allow others to ride.



#### Sharp Object Hazard

Do not place any part of your body under the implement. Severe injury will occur if the implement falls on a person.

## WARNING



#### Enter And Exit Tractor

To avoid being run over, do not enter or exit tractor when it is moving. Avoid serious injury or death, from contact with rotating tires, by entering or exiting tractor only when it is completely stopped.



#### Never allow inexperienced or untrained

personnel to operate the implement or tractor without supervision.

## CAUTION



This is a rear-mounted implement that removes weight from the front wheels of the tractor whenever the implement is raised off the ground. This transfer or decrease of front-end weight can cause loss of steering with possible overturn and personal injury.

To prevent this potential hazard, add front-end weight until at least 20% of tractor's original weight is on the front wheels.

When transporting the implement on rough or uneven surfaces, drive slowly to prevent bouncing and loss of contact of the front wheels and the ground.



#### Safe Distance

Keep all bystanders, especially children, away from the tractor and implement during operation.

## SAFETY INSTRUCTIONS

Follow all operating, maintenance, and safety instructions found in this manual.



Periodically clear the unit of brush, twigs, or other materials to prevent buildup of dry, combustible materials.



Visually check all fasteners for tightness or damage before and after operation. Repair immediately if required.

## Tractor Requirements



### **WARNING**



**Tractor Owner/Operator Manual**  
Always refer to the tractor Operator's Manual to ensure compatibility and maximum safety.

The tractor used to operate the V-blade leveler must have the power to lift and pull the V-blade leveler at a ground speed between 2 and 5 MPH.

Use the chart to select the tractor horsepower appropriate for your V-blade leveler. Do not use a tractor of more than the recommended HP to prevent damaging V-blade leveler components.

Model	Recommended HP
VBL-08 / VBL-08R	40 - 55
VBL-09 / VBL-09R	40 - 60
VBL-10 / VBL-10R	50 - 65
VBL-11 / VBL-11R	55 - 70
VBL-12 / VBL-12R	60 - 75
VBL-13 / VBL-13R	65 - 80
VBL-14 / VBL-14R	75 - 90
VBL-15 / VBL-15R	75 - 95
VBL-16 / VBL-16R	80 - 100
VBL-17 / VBL-17R	85 - 105
VBL-18 / VBL-18R	90 - 110

A minimum of 20% of the combined tractor and equipment weight should be on the front wheels to ensure adequate stability during transport and operation. Add front end weight as needed to maintain 20% weight on the front axle.

Always review the "controls" section of the tractor Operator's Manual to be familiar with the location, settings, and function of the tractor controls. Be familiar with all controls before using this equipment.

## Tractor Safety Devices

If transporting or operating the tractor and implement near a public roadway, the tractor must be equipped with proper warning lighting and a Slow Moving Vehicle (SMV) emblem, which are clearly visible from the rear of the unit. Lights and a SMV emblem must be attached directly to the implement if the visibility of the tractor warning signals is obscured.

Never operate the tractor PTO with the PTO master shield missing or in the raised position.

### ROPS and Seat Belt

### **WARNING**



#### **Rollover Hazard**

To avoid serious injury or death from falling off tractor, equipment runover, rollover, or crushing:

- 1) Use ROPS equipped tractor.
- 2) Keep ROPS locked in the UP position.
- 3) Only operate the equipment when seated in the tractor seat.
- 4) Always fasten seat belt when operating the tractor and V-blade leveler.

The tractor must be equipped with a Roll Over Protective Structure (ROPS) (tractor cab or roll-bar) and seat belt to protect the operator from falling off the tractor, especially during a roll-over where the driver could be crushed and killed. Only operate the tractor with the ROPS in the raised position and seat belt fastened.

### 3-Point Hitch

These V-blade levelers are designed to be mounted on a tractor CAT II or CAT III 3-Point or Quick Hitch.

Refer to the tractor Operator's Manual for the category of the tractor being used. If the hitch does not conform to ASAE CAT II / III dimensions, the V-blade leveler may not fit or raise properly. Consult an authorized dealer for possible modification procedures to mount non-conforming hitches. Depending on the hitch category, certain size pins are used to attach the implement to the tractor. CAT II hitches require 1-1/8" diameter lower and 1" diameter upper hitch pins. CAT III hitches require 1-7/16" diameter lower and 1-1/4" diameter upper hitch pins.

Install the lift arm stabilizer or shorten the stop chains to place the arms into the non-sway configuration. Refer to the tractor manual for details.

## Attaching to Tractor

Use caution when connecting the V-blade leveler to the tractor. The V-blade leveler should be securely resting on the ground or setting on blocks. Keep hands and feet from under the V-blade leveler and clear of pinch points between the tractor drawbar and V-blade leveler hitch.

### **WARNING**



#### **Crush Hazard**

**Do not allow anyone to stand between the hitch and implement during hook-up operations.**

1. Shorten or remove the tractor drawbar to avoid interference when raising and lowering the V-blade leveler.
  2. Remove the lynch pins and lift pins.
  3. Board the tractor and start the engine. Position the tractor with the 3-point lift arms positioned at the same height and aligned with the V-blade leveler hitch pin holes.
- Note:** Set the 3-point lift control to “Position Control” so that the lift arms maintain a constant height when attaching the V-blade leveler. See the tractor Operator’s Manual for correct settings when attaching 3-point equipment.
4. Turn off the tractor engine and dismount.
  5. Insert the hitch pin through the lift arm and lug holes and install the lynch pin.
  6. Walk around to the opposite side and repeat the procedure for the remaining lift arm and hitch pin.
  7. Extend or retract the 3-point top link to align its end hole with the hole of the V-blade leveler’s top link. Insert the top link hitch pin and insert the retaining pin into the hitch pin.
  8. Return to the tractor and slowly raise the 3-point lift arms fully up and down to make sure the V-blade leveler does not make contact with the tractor tire, drawbar, or any other equipment on the tractor.
    - a. Move or remove the drawbar if it interferes with the implement.
  9. Adjust any lower link check chains, guide blocks, or sway blocks to prevent the V-blade leveler from swaying side-to-side.

## Setting the V-blade leveler

Properly setting the V-blade leveler is essential for efficient and safe operation. A properly set V-blade leveler will consistently achieve the desired results.

**Note:** The V-blade leveler must be hitched to the tractor and raised off the ground to make the following adjustments.

### **WARNING**



#### **Crush Hazard**

**Make adjustments to the V-blade leveler after it has been properly attached to the tractor and secured with solid supports.**

**Never work around equipment supported by hydraulics.**

**Hydraulics can drop equipment instantly if controls are actuated even when power to the hydraulics is shut off.**





1. Use the adjustment on the tractor 3-point hitch lift arm to level the V-blade leveler from side-to-side.
2. Adjust the top link to level the V-blade leveler from front to back.
3. In most conditions, the V-Blade Leveler works best when all ground engaging blades are flush and level. To achieve this, set the V-Blade Leveler on a flat, level surface, loosen all blade bolts, including side blades and middle buster, and re-tighten.



4. Initial Setup Checklist

Efficient and safe operation of the V-blade leveler requires that every user read and understand the operational instructions and all related safety instructions outlined in this manual.

This checklist is provided for the user/owner. It is important for both personal safety and to maintain the mechanical condition of the V-blade leveler that this checklist is followed.

Initial Setup Checklist (prior to using for the first time)	
Location	Task
	Make sure the V-blade leveler is properly mounted to the 3-point hitch. Refer to "Attaching to Tractor" on page 14.
	Make sure all hardware is properly installed and tightened. Refer to "Maintenance Schedule" on page 22.
	Check the condition of the cutting edges. Refer to "Ground Engaging Components" on page 20.
	Check the V-blade leveler setup. Adjust if needed. Refer to "Setting the V-blade leveler" on page 14.

Implement Break-In

Although there are no operational restrictions on the V-blade leveler when used for the first time, it is recommended that the following mechanical items be checked:

1. After 1/2 hour of operation:
  - a. Check all fasteners and tighten if necessary.
  - b. Make sure that the cutting edges are in good condition.
2. After 10 hours of operation:
  - a. Go to the normal servicing and maintenance schedule, as defined in the Maintenance Section.

General Operating Instructions

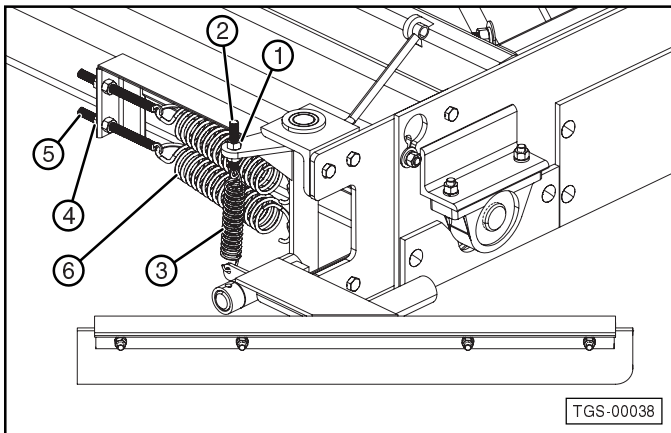
1. Familiarize yourself with the Operation and Parts Manual, and make sure the V-blade leveler is properly attached to the tractor before beginning work. Inspect the condition of the cutting edges and the overall V-blade leveler for potential problems or damage. Do not use the V-blade leveler if it needs repairs of any type.
2. Clear the area of bystanders, especially small children. Make sure that you can clearly see and identify passersby, steep slopes, ditches, drop-offs, power lines, debris, and foreign objects. If you are unable to clearly see these type of items, discontinue operating the V-blade leveler.
3. Know the location of all underground cables, pipelines, and other hazards in the area. Also make certain that all irrigation heads, utility outlets, and other obstacles are properly marked.
4. Watch for low hanging limbs, power lines, and other overhead obstacles while you are operating. Use care to avoid hitting these items.
5. Do not operate the V-blade leveler, or drive the tractor into material that is burning, or areas that recently burnt and may contain hot spots. Tire damage can occur when driving over hot material. Oil and grease on the tractor and V-blade leveler could ignite, resulting in equipment destruction.
6. Lower the V-blade leveler to the ground and proceed forward at a speed of no more than 2 to 4 MPH. The V-blade leveler should immediately begin shaving the soil surface, and allowing material to flow under the blades to fill in low spots.

7. Depending on surface conditions, a buildup may occur in front of the rear wear plate. If this occurs, raise the V-blade leveler slightly with the 3-point hitch control lever to allow excess material to flow out under the wear plate in an even and level fashion.
8. If a buildup occurs in front of the rear blade, raise the trap doors to allow the excess material to flow out of the sides.
9. The keyhole mounts can be used to drag a tire behind to feather out the ridges and distribute excess material.
10. Slow the tractor when making turns, and remember that the V-blade leveler will swing wide of the tractor when turning.
11. Always operate safely and follow all the instructions in this manual.

### Berm Scrapers (Optional Equipment)

The berm scrapers (if equipped) can be used to feather out any ridges left at the edge of the implement and distribute excess material.

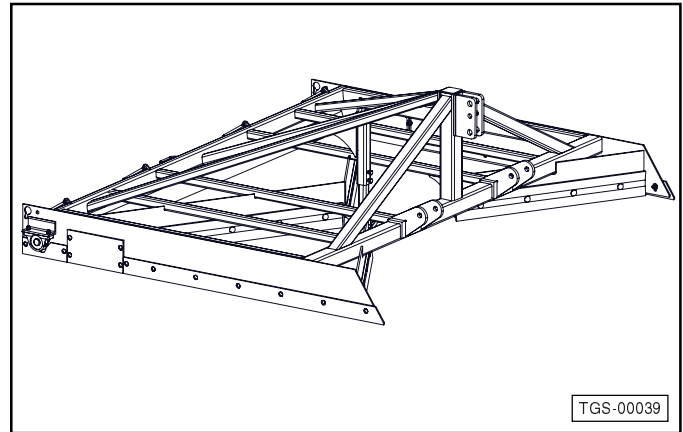
1. To adjust the vertical spring tension, loosen adjusting nuts (1) on vertical adjusting rod (2) and lengthen or shorten vertical spring (3) to achieve the desired tension.



2. Tighten the adjusting nuts.
3. To adjust the horizontal spring tension, loosen adjusting nuts (4) on horizontal adjusting rods (5) and lengthen or shorten horizontal spring (6) to achieve the desired tension. Be sure to maintain equal tension on the two horizontal springs.
4. Tighten the adjusting nuts.

### Detaching From Tractor

1. Move the V-blade leveler to a level storage location. Park the tractor, place the transmission in park or neutral, and apply the parking brake. Lower the V-blade leveler, shut down the engine, and remove the key before exiting the tractor.
2. Make sure the V-blade leveler is resting securely on the ground or blocks before attempting to disconnect it from the tractor. Use extreme care to keep feet and hands from under the V-blade leveler and clear of any pinch points caused by the tractor hitch arms and V-blade leveler hitch pins.
3. Extend or retract the tractor 3-point hitch top link to remove tension on the top link hitch pin. When the pin is loose and easy to rotate, remove the pin from the V-blade leveler.
4. Disconnect the lift arms and drive the tractor away from the V-blade leveler.





## TRANSPORTING

### Transporting Safety (Road)

Refer to "Safety" on page 6 for general transporting safety requirements.

### **WARNING**

The following safety instructions are provided to help prevent serious injury and possibly even death.



#### **Operating the Tractor**

Before attaching the V-blade leveler to the tractor, be familiar with its controls and how to stop quickly in the event of an emergency. Read and understand this manual and the one provided with your tractor before transporting the V-blade leveler.



#### **Loss of Control**

A minimum of 20% of the combined tractor and equipment weight should be on the front wheels to ensure adequate stability during transport and operation. To avoid serious injury or death from a loss of control accident, maintain 20% weight on the front wheels. Add front end weight if necessary.

### **CAUTION**



Beware of physical surroundings and especially bystanders, particularly children, before moving the unit! This is particularly important with higher noise levels and quiet cabs, as you may not hear people shouting.



**NO PASSENGERS ALLOWED** - Do not carry passengers anywhere on or in the tractor, except as required for operation.



Do not allow anyone to ride on the implement while it is moving.

### **SAFETY INSTRUCTIONS**

The following safety instructions are provided to help prevent injury or limit equipment damage.



#### **Drive Safely**

Be a safe and courteous driver. Anticipate what other drivers will do and drive accordingly. Always yield to oncoming traffic in all situations, including narrow bridges, intersections, etc. Plan your route to avoid heavy traffic.

### **SAFETY INSTRUCTIONS**



#### **Allow Extra Distance**

Apply brakes early. Leave extra distance between your vehicle and the one(s) ahead to provide adequate stopping space. Extra distance will be required to stop the vehicle.



#### **Hitch Attachment**

Be sure the V-blade leveler is securely attached to the tractor and in good operating condition before transporting.



#### **Working Taillights**

Make sure lights on the tractor are working properly.



#### **Additional Lighting**

For V-blade levelers without lights, install additional lights on the rear of the tractor to safeguard against rear-end collisions. Daybreak and dusk are particularly dangerous and rear pilot vehicles are recommended. V-blade levelers without lights should be transported on public roads only during daylight hours.



#### **Hazard Flashers**

Use hazard flashers on the tractor when transporting unless prohibited by law.



#### **Right-of-Way**

When traveling below the posted speed limit, keep to the right and yield the right-of-way to allow faster traffic to pass.



#### **Tractor Owner/Operator Manual**

Always refer to the tractor Operator's Manual to determine its compatibility and maximum safety.



#### **Maximum Transporting Speed**

Do not exceed 20 MPH when transporting the V-blade leveler. Slow down for corners and rough terrain.



#### **Visibility**

Clean reflectors, SMV or SIS sign, and lights before transporting. Make sure all the lights and reflectors required by highway and transport authorities are in place and can be seen clearly by all overtaking and oncoming traffic.

**SAFETY  
INSTRUCTIONS**



**Regulations**

**Make sure all local, state, and federal regulations, regarding the transport of equipment on public roads and highways, are met. Check with the local authorities regarding transporting the V-blade leveler on public roads. Obey all applicable laws and regulations.**



**When transporting the unit on public roadways, use accessory lights and devices for adequate warning to operators of other vehicles. Various safety lights and devices are available from your dealer.**

**Make sure the “Slow Moving Vehicle” placard is clearly visible to vehicles approaching from the rear.**



**Make sure that the area is clear of children, animals, and other obstacles before moving the unit.**

**Some localities prohibit the use of flashing amber lights. Local laws should be checked for all highway lighting and marking requirements.**

**Be observant of bridge load restrictions. Do not cross bridges rated lower than the gross weight at which you are operating.**

**Watch for overhead obstructions and side clearances while transporting. Remember the implement may be wider than your tractor and extreme care must be taken to allow for safe clearance.**

**Always operate equipment in a position to provide maximum visibility at all times. Make allowances for increased length and weight of the equipment when making turns, stopping, etc.**

**Avoid sudden uphill turns on steep slopes.**

**Operate the tractor from the operator’s seat only.**

**Always keep the tractor in gear to provide engine braking when going downhill. Do not coast.**

1. Familiarize yourself with the Operation and Parts Manual, and make sure the V-blade leveler is properly attached to the tractor before transporting.
2. If units more than 12’ wide must be transported on a public road, detach them from the tractor and transport on a trailer.
3. Slow the tractor when making turns, and remember that the V-blade leveler will swing wide of the tractor when turning.
4. Watch for low hanging limbs, power lines, and other overhead obstacles while you are transporting. Use care to avoid hitting these items.

## MAINTENANCE

### Personal Safety

# ⚠️ WARNING

The following safety instructions are provided to help prevent serious injury and possibly even death.



**Rolling Over / Crush Hazard**  
To prevent serious

injury or death, before servicing, adjusting, repairing, or performing other work on the implement, always make sure the tractor engine is stopped, the ignition key is removed, the implement is lowered to the ground, all controls are placed in neutral, the parking brake is set, and all hydraulic fluid pressure is relieved (zero pressure).



**Rolling Hazard**  
Block the wheels before performing maintenance or repairs.



**Use Properly Rated Tools**  
Use sufficient tools, jacks, and hoists that have the capacity for the job.



**Crush Hazard**  
Use support blocks or safety stands rated to support the load when performing maintenance.

## General Maintenance Safety

### SAFETY INSTRUCTIONS

The following safety instructions are provided to help prevent injury or limit equipment damage.

Follow all operating, maintenance, and safety instructions found in this manual.



Understand the service procedure before performing the work. Keep area clean and dry.



Keep all parts in good condition and properly installed. Fix damage immediately. Replace worn or broken parts.



Do not leave tools lying on the unit.



Do not modify unit. Do not weld on the unit. Unauthorized modifications may impair its function and safety.

If equipment has been altered in any way from the original design, the manufacturer does not accept any liability for injury or warranty.



Never replace hex bolts with less than Grade 5 bolts unless otherwise specified. In locations where Grade 8 bolts are used, Grade 8 replacements are required.

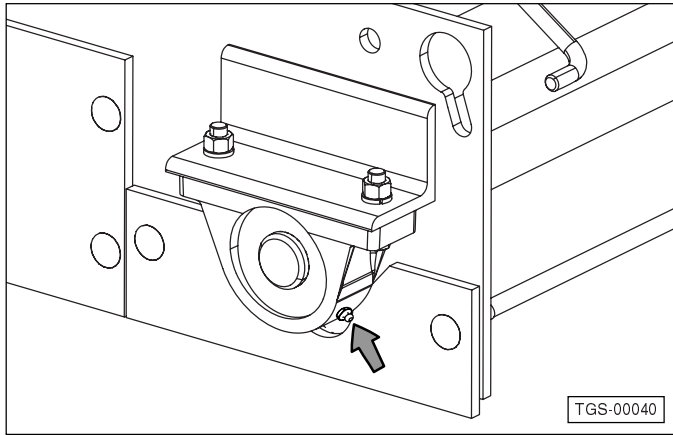


Where replacement parts are necessary for periodic maintenance and servicing, genuine factory replacement parts must be used to restore the unit to original specifications. The manufacturer will not accept responsibility for damages as a result of the use of unapproved parts.

### Lubrication Points

Bearings come pre-lubed from the factory. Prior to applying grease, allow 40 hours of operation time to break in the seals. Add grease to the zerk fitting on the pillow block bearings on roller models, as shown. Avoid mixing different brands of grease.

**Note:** Clean the fitting, then add grease until it is visibly forced out of the bearing.



### Welding Repairs



Before performing any type of welding repair to the V-blade leveler, contact T. G. Schmeiser Co., Inc. for approval. Repair welding must be done with care and with procedures that may be beyond the capabilities of the ordinary welder.

## ⚠ WARNING



**Personal Injury Hazard**  
Repairs or modifications to the V-blade leveler can result in serious injury or death should these repairs fail.

## NOTICE

*Anyone performing a welding repair should be certified in accordance to the American Welding Society (AWS) standards.*

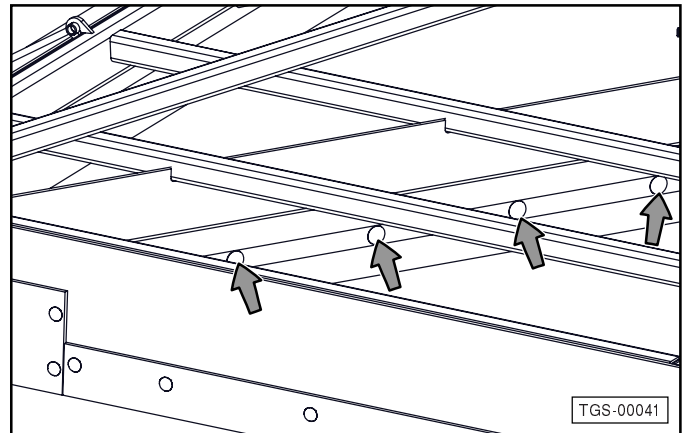
### Ground Engaging Components

Ground engaging components are subject to abrasion and wear. The slotted mounting holes provide 1" of adjustment, which may be used to compensate for wear. Excessively worn components will require replacement.

### Front and Rear Blade Replacement

The front and rear blades can be removed, turned over, and reattached to present a fresh edge. Replace the blades when both sides are worn out. Left and right blades should be replaced at the same time. The blades are sold in pairs. Refer to "V-Blade Leveler Front and Rear Blades" on page 26 to obtain the correct part number.

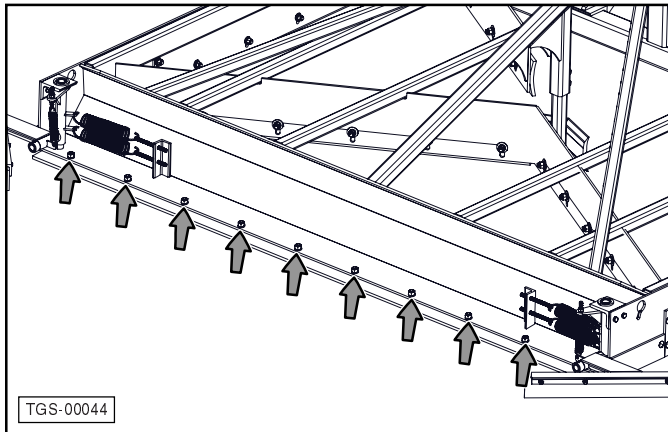
1. Remove the 5/8 x 1-3/4" plow bolts, 5/8" lock washers, and 5/8 hex nuts.



2. Install the replacement blades using new plow bolts. Tighten the nuts to the proper torque.

### Rear Wear Plate Replacement

1. The rear wear plate can be removed, turned around, and reattached. Replace the plate when both sides are worn out. Refer to "V-Blade Leveler Front and Rear Blades" on page 26 to obtain the correct part number.
2. Remove the 5/8 x 1-3/4" plow bolts, 5/8" lock washers, and 5/8 hex nuts.

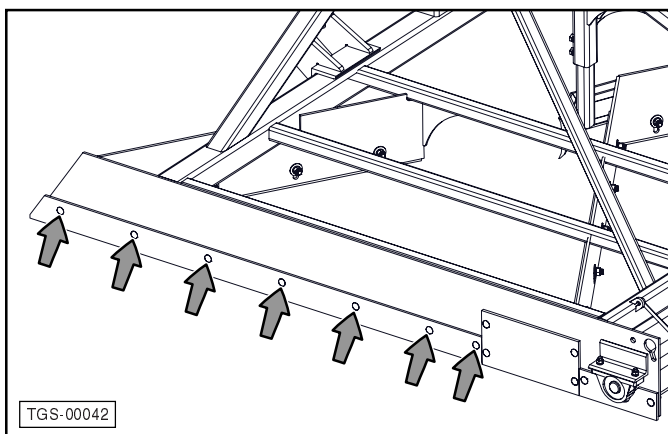


3. Install the replacement wear plate using new plow bolts. Tighten the nuts to the proper torque.

### Side Wear Blade Replacement

The replacement side wear blade kits contain the front side wear blade, trap door, and rear side wear plate. Left and right blades should be replaced at the same time. Kits are sold in pairs. Refer to "V-Blade Leveler Side Blades" on page 28 to obtain the correct part number.

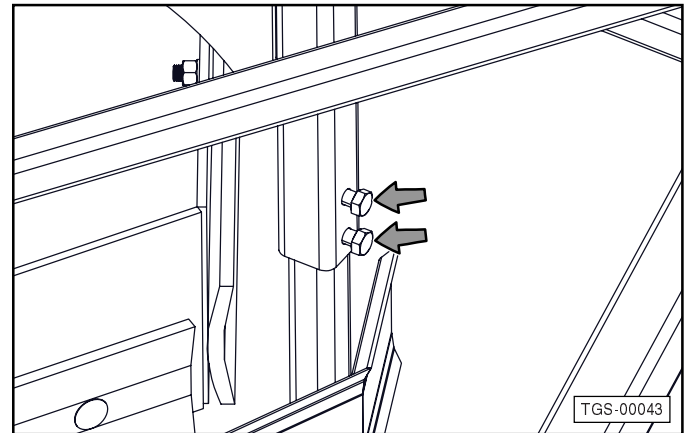
1. Remove the 1/2 x 1-1/2" carriage bolts, lock washers, flat washers, and nuts.



2. Install the replacement wear blades. Tighten the nuts to the proper torque.

### Middle Buster Replacement

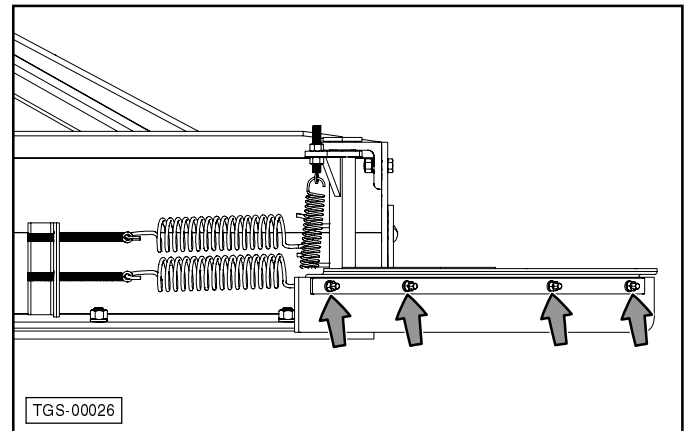
1. The middle buster can be lowered as it wears. Loosen the 5/8" x 1-3/4" adjustment screws and lower the middle buster. To replace, loosen the 5/8 x 1-3/4" adjustment screws and lower the middle buster until it is free of the unit.



2. Insert the replacement middle buster to the proper height, and tighten the adjustment screws.

### Berm Scraper Wear Plate Replacement

1. Remove the four 3/8 x 1-3/4" Grade 5 cap screws and nuts.



2. Install the replacement wear plates. Tighten the nuts to the proper torque.



**Maintenance Schedule**

The period recommended is based on normal operating conditions. Severe or unusual conditions may require more frequent service.

Copy this page to continue record.

Hours and Serviced By															
<b>Maintenance</b>															
<b>Before Each Use or Daily</b>															
Ensure that all fasteners are tight, and all pins are secured in place.															
Inspect the frame for structural fractures.															
Make sure all warning decals are in place and legible.															
Check all blades for wear and damage. Replace if necessary.															
<b>Every 50 Hours or Weekly</b>															
Perform the Daily Maintenance schedule.															
Lubricate zerk fittings on roller pillow block bearings with a good general purpose grease.															
<b>Every 1000 Hours or Annually</b>															
Perform the Daily Maintenance schedule.															
Perform the Weekly Maintenance schedule.															
Lubricate zerk fittings on roller pillow block bearings with a good general purpose grease.															
Remove debris and clean the entire implement with compressed air or a pressure washer.															
Remove rust and apply a coat of paint to frame surfaces where the paint has been worn off or damaged.															

### Bolt Torque Requirements

It is extremely important to apply and maintain proper torque on all bolts. Use a torque wrench to assure the proper amount of torque is being applied to the fastener.

Start all bolts or nuts by hand to prevent cross threading.

Torque figures indicated in the chart are used for non-greased or non-oiled threads unless otherwise specified. Therefore, do not grease or oil bolts or cap screws unless otherwise specified in this manual. When using locking elements, increase torque values by 5%.

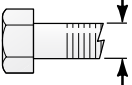



The chart gives correct torque values for various bolts and cap screws. Tighten all bolts to the torques specified in the chart unless otherwise noted. Check tightness of bolts periodically, using the bolt torque chart as a guide. Always use replacement bolts with the same Grade markings as the removed bolt.

## ⚠ WARNING



### Equipment Failure

The torque value for bolts and cap screws are identified by their head markings. Replacing higher "Grade" bolts (Grade 5) with lower Grade bolts will lead to equipment failure and can result in injury or death. Always use replacement bolts with the same Grade markings as the removed bolt.

Bolt Diameter 	English Bolt Torque Specifications					
	Grade 2  No Marking		Grade 5  3 Radial Lines		Grade 8  6 Radial Lines	
	N·m	ft·lbs.	N·m	ft·lbs.	N·m	ft·lbs.
1/4"	8	6	12	9	17	12
5/16"	13	10	25	19	36	27
3/8"	27	20	45	33	63	45
7/16"	41	30	72	53	100	75
1/2"	61	45	110	80	155	115
9/16"	95	60	155	115	220	165
5/8"	128	95	215	158	305	220
3/4"	225	165	390	290	540	398
7/8"	230	170	570	420	880	650
1"	345	225	850	630	1320	970

## STORAGE

### Safety

#### **WARNING**



#### **Hazard And Information Signs**

Replace any missing or hard-to-read safety signs. Safety sign placement and part numbers can be found in the Nomenclature section of this manual.



#### **Damaged Parts Hazard**

Do not use this unit if it is in need of repair. If you believe the unit has a defect which could cause damage, injury, or death, you should immediately stop using the unit.

#### **SAFETY INSTRUCTIONS**

Follow all operating and safety instructions found in this manual when storing this implement.



Store the implement in an area away from human activity.



Do not permit children to play on or around the stored unit at any time.



When using compressed air to clean implement, wear safety glasses.

### Storage Preparation

After work is completed for a season, perform the following maintenance procedures before storing the implement.

1. Apply a thin layer of grease or rust preventative to all exposed metal surfaces of the adjustable mechanisms (threaded rods, etc.).
2. Check all bolted connections. Ensure that the fasteners are tight, and all retaining pins are secured in place with appropriate retaining clips.
3. Inspect the frame for structural fractures.
4. Check the leveler blades and wear plates for wear and damage. If excessively worn or damaged, they must be replaced.
5. Make sure all the warning decals are in place and legible. Replace any worn decals as needed.

6. Thoroughly wash the V-blade leveler with a pressure washer or water hose to remove all dirt, mud, or debris.
7. For models equipped with a rear roller, lubricate the grease fittings on the roller pillow block bearings with a good general purpose lithium grease. Refer to "Lubrication Points" on page 20 for the location of the fittings.
8. To help prevent corrosion, remove rust and apply a coat of paint to frame surfaces where paint has been worn off or damaged.
9. Make sure the implement is stored in an area with a firm and level base to prevent it from tipping or sinking into the ground. For best results, always store the V-Blade Leveler in a dry, protected location. Leaving this implement unprotected will shorten the service life.

### Placing In Storage

1. Select an area that is dry, level, and free of debris (inside a building is ideal). Move the V-Blade Leveler to its storage area.
2. Lower the V-Blade Leveler onto blocks.
3. Disconnect the V-Blade Leveler from the 3-point hitch and drive the tractor away from the V-Blade Leveler. Refer to "Detaching From Tractor" on page 16. Do not leave the tractor attached to the V-Blade Leveler.

### Removing From Storage

Prior to use each season, perform the following inspection and maintenance.

1. Read the operator's manual to review all safety, operational, and maintenance procedures.
2. Perform any recommended maintenance that was not completed when the implement was put into storage.
3. Visually inspect the implement for wear or damage.
4. Make sure all the warning decals are in place and legible. Replace any damaged or missing decals.
5. Attach the V-Blade Leveler to the tractor 3-point hitch. Refer to "Attaching to Tractor" on page 14.
6. Raise the V-Blade Leveler up off the blocks.

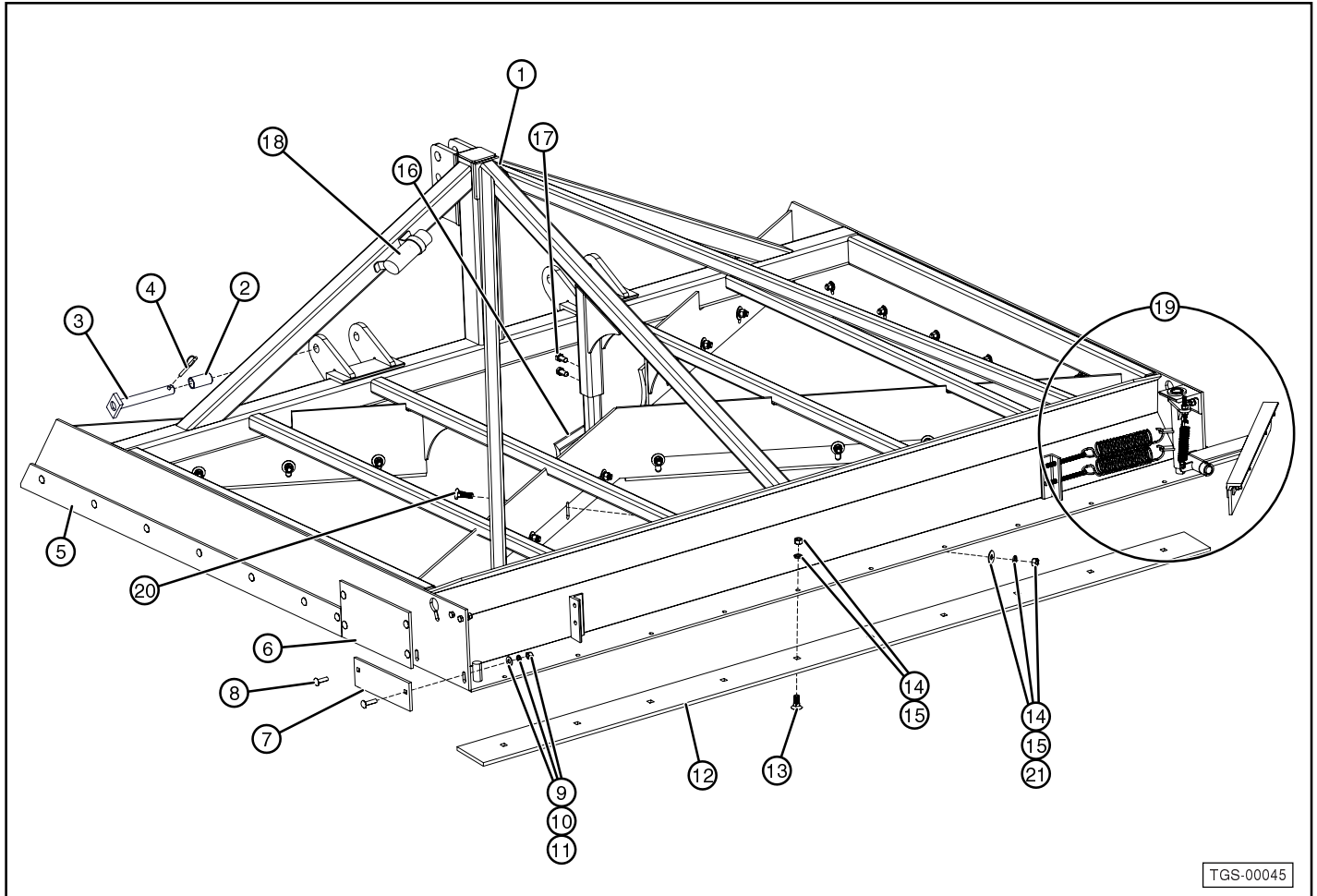


## PARTS SECTION

### Ordering Parts

We manufacture a quality product that requires very little maintenance or repair. However, should a part break become damaged, our knowledgeable staff can make sure you receive the part(s) to put your unit back into operation.

### V-Blade Leveler Bucket Assembly



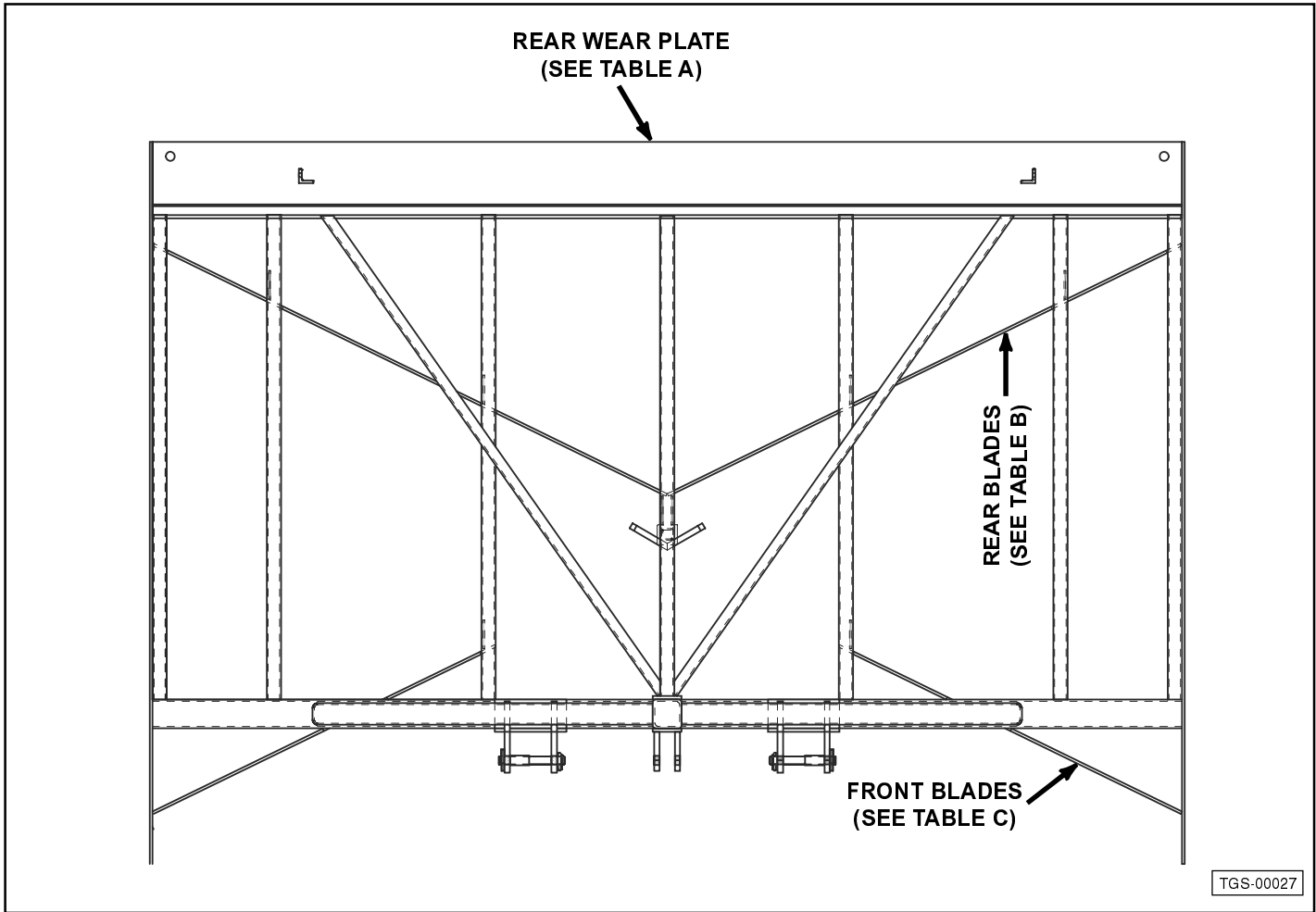
TGS-00045

Item	Part Number	Description	Qty.
1	3VB-(00)A000	V-Blade Leveler Main Frame Bucket Style (specify size)	1
2	GBH-C23L01	Category 2 & 3 Lift Arm Bushing	2
3	3VB-E	V-Blade Leveler Pull Pin (Lower Link)	2
4	GPN-070LYN	7/16" Lynch Pin	2
5	—	Front Side Blades - See Side Blades Section	1 Pair
6	—	Trap Door - See Side Blades Section	1 Pair
7	—	Rear Side Blades - See Side Blades Section	1 Pair
8	CBNC508024	1/2" X 1-1/2" NC Carriage Bolt	26
9	LWASHER-08	1/2" Lock Washer	26
10	FWASHER-08	1/2" Flat Washer	26
11	HXNUT-08NC	1/2" NC Hex Nut	26

Item	Part Number	Description	Qty.
12	—	Rear Wear Plate - See Front and Rear Blades Section for all sizes	1
13	PBNC-10028	5/8" X 1-3/4" Plow Bolt	A/R
14	LWASHER-10	5/8" Lock Washer	A/R
15	HXNUT-10NC	5/8" NC Hex Nut	A/R
16	3VB-C	Middle Buster	1
17	CSNC510028	5/8" x 1-3/4" NC Cap Screw	2
18	OMC1	Document Canister	1
19	3VB-D	Berm Scraper Assembly - see page 29	1 Pair
20	PBNC-10036	5/8" X 2-1/4" NC Plow Bolt	A/R
21	FWASHER-10	5/8" Flat Washer	A/R

A/R - As Required

**V-Blade Leveler Front and Rear Blades**

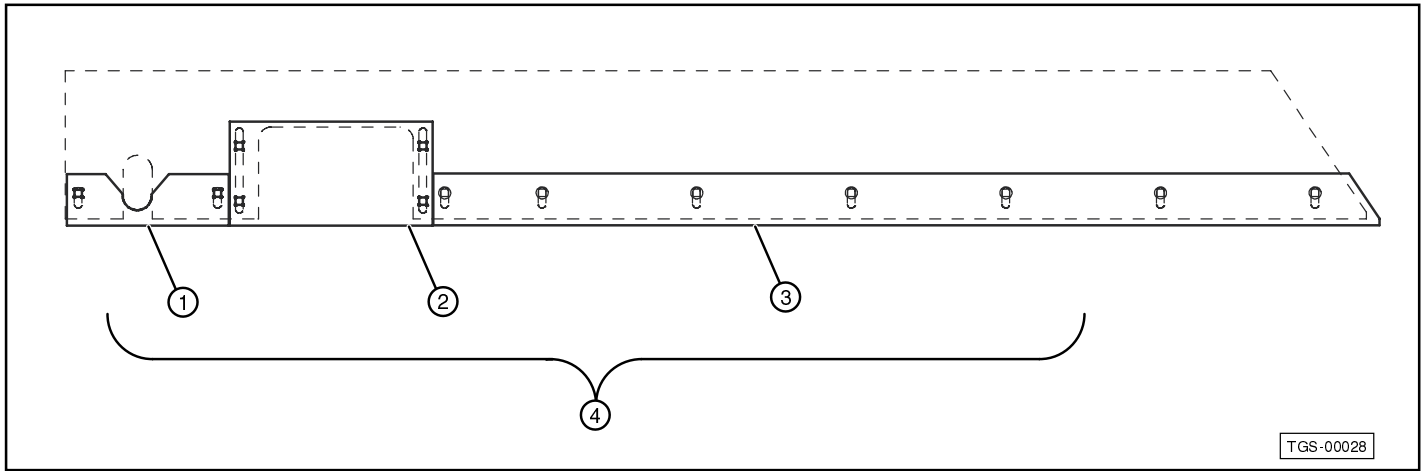


Unit Size, Ft.	Table A	Table B	Table C
	Rear Wear Plate*	Rear Blades, pair*	Front Blades, pair*
8	3VB-B-01-08	3VB-B-02-08	3VB-B-03-08
9	3VB-B-01-09	3VB-B-02-09	3VB-B-03-09
10	3VB-B-01-10	3VB-B-02-10	3VB-B-03-10
11	3VB-B-01-11	3VB-B-02-11	3VB-B-03-11
12	3VB-B-01-12	3VB-B-02-12	3VB-B-03-12
13	3VB-B-01-13	3VB-B-02-13	3VB-B-03-13
14	3VB-B-01-14	3VB-B-02-14	3VB-B-03-14
15	3VB-B-01-15	3VB-B-02-15	3VB-B-03-15
16	3VB-B-01-16	3VB-B-02-16	3VB-B-03-16
17	3VB-B-01-17	3VB-B-02-17	3VB-B-03-17
18	3VB-B-01-18	3VB-B-02-18	3VB-B-03-18

\*Fasteners are included with all blade kits.

**V-Blade Leveler Side Blades**

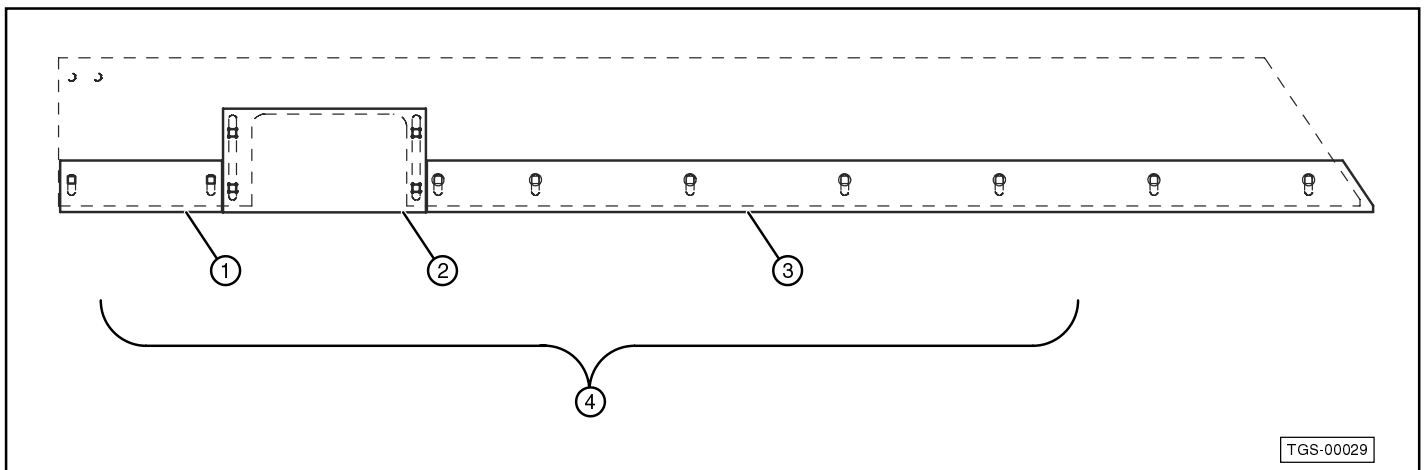
**16" Trap Door with Roller (August 2006 and after)**



Item	Part Number	Description	Qty.
1	3VB-B-09S*	Rear Side Blade, Roller Style	1
2	3VB-B-05*	Trap Door, 16"	1
3	3VB-B-06*	Front Side Blade, 16" Trap Door	1
4	3VB-B-16R*	Side Wear Blade Kit, Roller Style	1 pair

\*Fasteners are included with all blade kits.

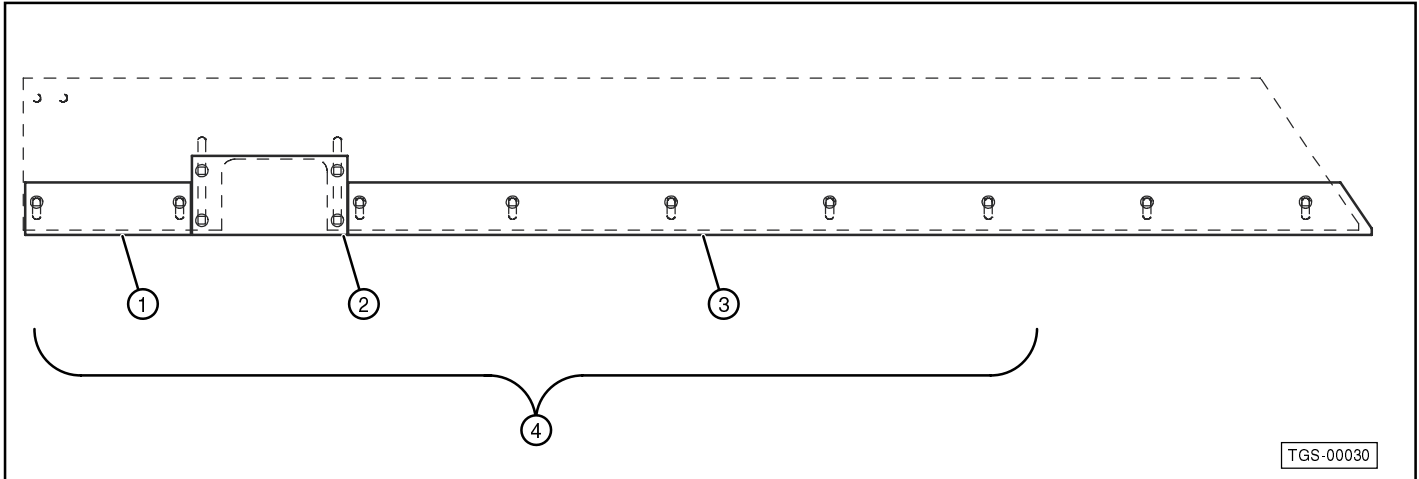
**16" Trap Door (April 2005 and after)**



Item	Part Number	Description	Qty.
1	3VB-B-09*	Rear Side Blade, Bucket Style	1
2	3VB-B-05*	Trap Door, 16"	1
3	3VB-B-06*	Front Side Blade, 16" Trap Door	1
4	3VB-B-16*	Side Wear Blade Kit, 16" Trap Door	1 pair

\*Fasteners are included with all blade kits.

**12" Trap Door (March 2005 and earlier)**

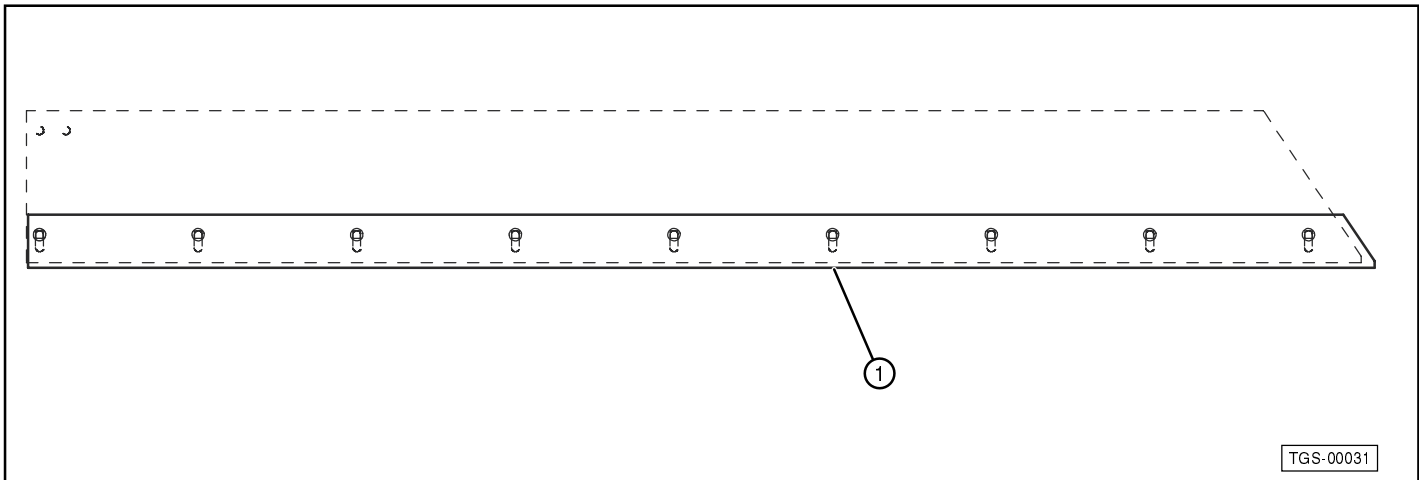


TGS-00030

Item	Part Number	Description	Qty.
1	3VB-B-09*	Rear Side Blade, Bucket Style	1
2	3VB-B-07*	Trap Door, 12"	1
3	3VB-B-08*	Front Side Blade, 12" Trap Door	1
4	3VB-B-10*	Side Wear Blade Kit, 12" Trap Door	1 pair

\*Fasteners are included with all blade kits.

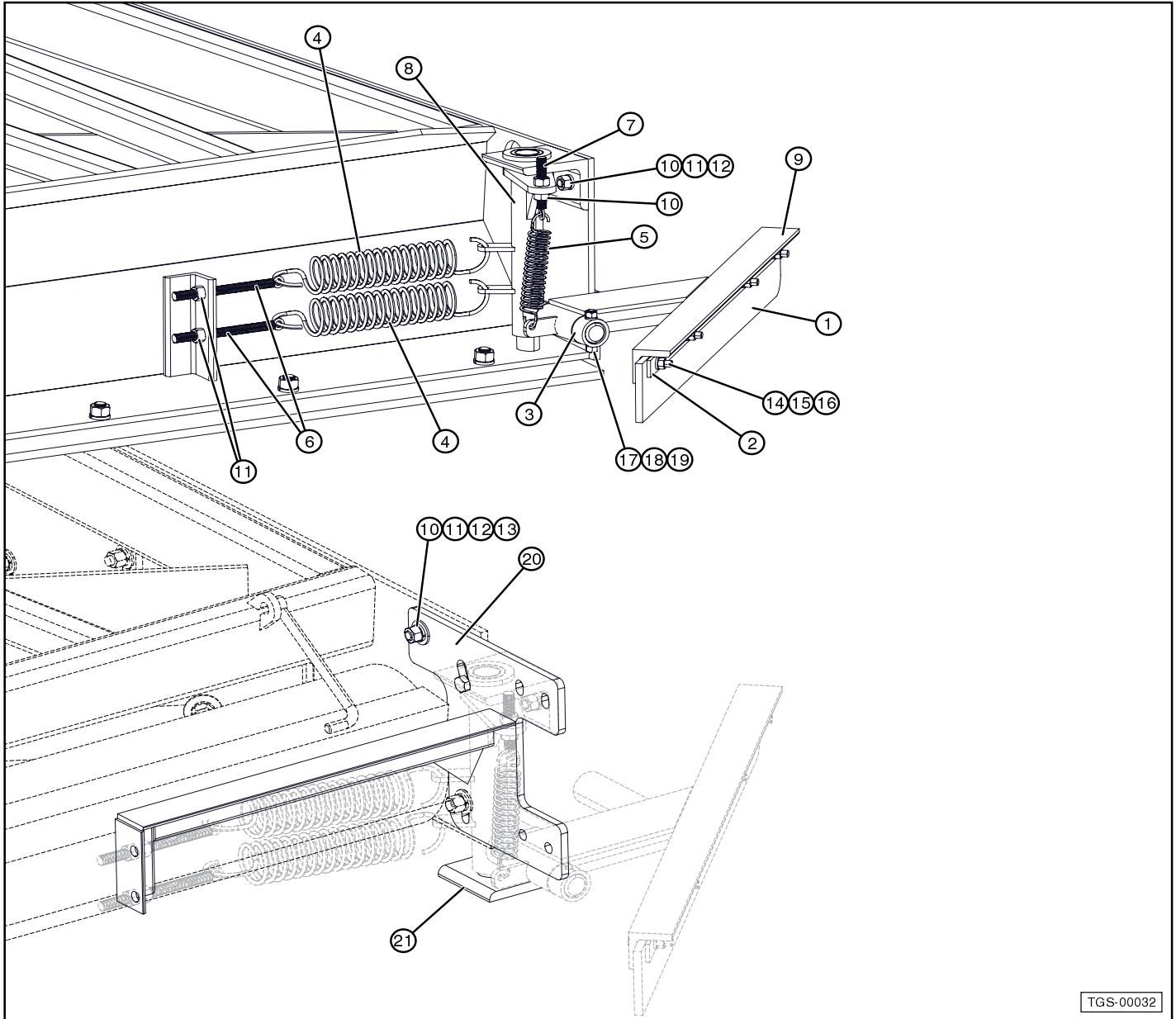
**No Trap Door (March 2005 and earlier)**



TGS-00031

Item	Part Number	Description	Qty.
1	3VB-B-04	Side Wear Blade, No Trap Door (Includes Fasteners)	1 pair

**V-Blade Leveler Berm Scraper Assembly**

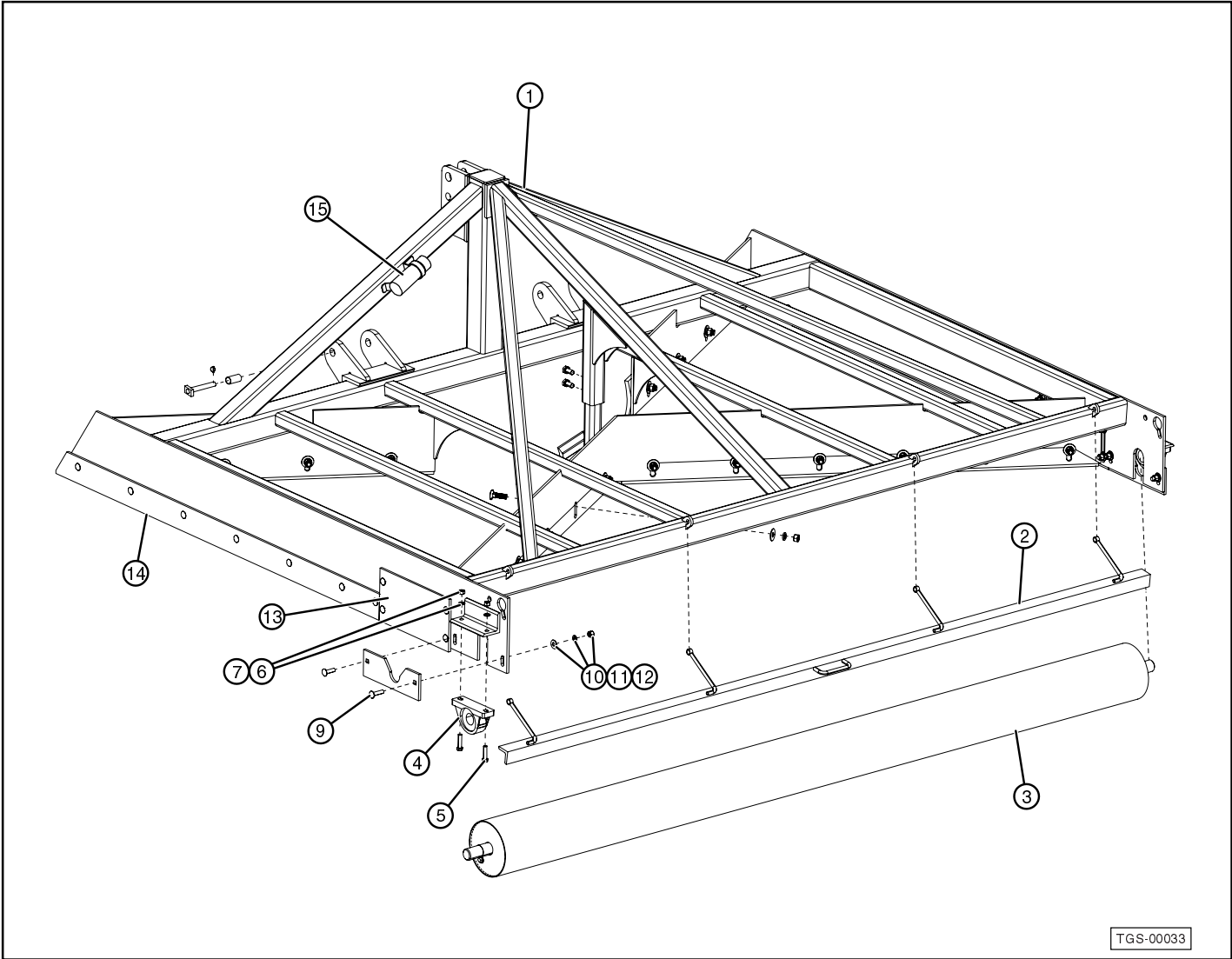


TGS-00032

Item	Part Number	Description	Qty.
1	3VB-00D205	Berm Scraper Wear Plate	2
2	3VB-00D206	Berm Scraper Blade Backing Plate	2
3	3VB-00D207	Berm Scraper Outer Shaft Collar	2
4	GSR-EX0201	Berm Scraper Spring 1.968" x 9.5" x 0.215"W	4
5	GSR-EX0101	Berm Scraper Spring 1.062" x 7" x 0.12" W	2
6	3VB-00D300	Berm Scraper Horizontal Adj. Rod	4
7	3VB-00D400	Berm Scraper Vertical Adj. Rod	2
8	3VB-00D100L 3VB-00D100R	Berm Scraper Pivot Shaft Weldment LH Berm Scraper Pivot Shaft Weldment RH	1
9	3VB-00D200L 3VB-00D200R	Berm Scraper Blade Weldment LH Berm Scraper Blade Weldment RH	1
10	CSNC508032	1/2 X 2 NC Cap Screw	4

Item	Part Number	Description	Qty.
11	HXNUT-08NC	1/2 NC Hex Nut ZP	16
12	LWASHER-08	1/2 Lock Washer ZP	4
13	FWASHER-08	1/2 Flat Washer	
14	CSNC506028	3/8" X 1-3/4" Gr. 5 Cap Screw	8
15	HXNUT-06NC	3/8" NC Hex Nut	8
16	LWASHER-06	3/8 Lock Washer ZP	8
17	CSNC505036	5/16 x 2-1/4 NC Cap Screw GR 5	2
18	LWASHER-05	5/16 Lock Washer ZP	2
19	HXNUT-05NC	5/16 NC Hex Nut ZP	2
20	3VB-00D500L 3VB-00D500R	Berm Scraper Frame Weldment LH Berm Scraper Frame Weldment RH	1
21	3VB-00D800	Berm Scraper Bottom Bracket	2

**V-Blade Leveler Rear Roller Assembly**



Item	Part Number	Description	Qty.
1	3VB-(00)A100	V-Blade Leveler Main Frame Roller Style (specify size)	1
2	3VB-M-(00)	V-Blade Leveler Mud Scraper (specify size)	1
3	VR08(00)	V-Blade Leveler Rear Roller (specify size)	1
4	TPP3150	1-11/16" Pillow Block Bearing (for up to 15 Ft. Units)	2
	TPP3155	1-15/16" Pillow Block Bearing (for 16 Ft. and up Units)	
5	CSNC508036	1/2" X 2-1/4" Gr.5 NC Cap Screw (for up to 15 Ft. Units)	4
	CSNC510040	5/8" X 2-1/2" Gr.5 NC Cap Screw (for 16 Ft. and up Units)	
6	LWASHER-08	1/2" Lock Washer (for up to 15 Ft. Units)	4
	LWASHER-10	5/8" Lock Washer (for 16 Ft. and up Units)	

Item	Part Number	Description	Qty.
7	HXNUT-08NC	1/2" NC Hex Nut (for up to 15 Ft. Units)	4
	HXNUT-10NC	5/8" NC Hex Nut (for 16 Ft. and up Units)	
8	3VB-00B009S	Rear Side Blade for Roller Models (see Side Blades page for all models)	2
9	CBNC508024	1/2" X 1-1/2" NC Carriage Bolt	26
10	FWASHER-08	1/2" Flat Washer	26
11	LWASHER-08	1/2" Lock Washer	26
12	HXNUT-08NC	1/2" NC Hex Nut	26
13	3VB-B-05	Trap Door Piece (see Side Blades page for all models)	2
14	3VB-B-06	Front Side Blade (see Side Blades page for all models)	2
15	OMC1	Document Canister	1



## LIMITED WARRANTY STATEMENT

### T.G. Schmeiser Co., Inc.

P.O. Box 1392 – Selma, CA 93662  
Phone (559) 268-8128 Fax (559) 268-3279

T. G. Schmeiser Co., Inc. warrants each new Schmeiser® product to be free from defects in material and workmanship. This warranty is applicable only for the normal service life expectancy of the product or components, not to exceed twelve (12) consecutive months from the date of delivery of the new Schmeiser product to the original purchaser.

Genuine T. G. Schmeiser Co., Inc. replacement parts and components will be warranted for 90 days from date of purchase, or the remainder of the original equipment warranty period, whichever is longer.

Under no circumstances will it cover any merchandise or components thereof, which, in the opinion of the company, has been subjected to misuse, unauthorized modifications, alteration, an accident or if repairs have been made with parts other than those obtainable through T. G. Schmeiser Co., Inc.

The Company in no way warrants engines, batteries, cylinders, tires or other trade accessories since these items are warranted separately by their respective manufacturer. Expendable components such as points, shanks, blades, rings, bearings, teeth, and the like are excluded from this warranty.

Our obligation under this warranty shall be limited to repairing or replacing, free of charge to the original purchaser, any part that, in our judgment, shall show evidence of such defect, provided further that such part shall be returned within thirty (30) days from date of failure to T. G. Schmeiser Co., Inc., routed through the dealer and distributor from whom the purchase was made, transportation charges prepaid.

This warranty shall not be interpreted to render T. G. Schmeiser Co., Inc. liable for injury or damages of any kind or nature to person or property. This warranty does not extend to the loss of crops, loss because of delay in harvesting, or any expense or loss incurred for labor, substitute machinery, rental or for any other reason.

Except as set forth above, **T. G. Schmeiser Co., Inc. shall have no obligation or liability of any kind on account of any of its equipment and shall not be liable for special or consequential damages. T. G. Schmeiser Co., Inc. makes no other warranty, expressed or implied, and, specifically, T. G. Schmeiser Co., Inc. disclaims any implied warranty or merchantability or fitness for a particular purpose. Some states or provinces do not permit limitations or exclusions of implied warranties or incidental or consequential damages, so the limitations or exclusion in this warranty may not apply.**

This warranty is subject to any existing conditions of supply, which may directly affect our ability to obtain materials or manufacture replacement parts.

T. G. Schmeiser Co., Inc. reserves the right to make improvements in design or changes in specifications at any time, without incurring any obligation to owners of units previously sold.

No one is authorized to alter, modify or enlarge this warranty nor the exclusion, limitations and reservations.

**WARRANTY VOID IF NOT REGISTERED  
WITHIN 30 DAYS OF PURCHASE DATE**



**P.O. Box 1392  
Selma, CA 93662  
(559) 268-8128  
WEB: [www.TGSchmeiser.com](http://www.TGSchmeiser.com)**

