

SCHMEISER® V-BLADE LEVELER™

8 FT. TO 18 FT. WIDE

ASSEMBLY & PARTS MANUAL



T.G. SCHMEISER CO., INC.
P.O. BOX 1047 FRESNO, CA 93714
(559) 268-8128 FAX (559) 268-3279
www.tgschmeiser.com

VERSION 1.2
FOR UNITS BUILT AFTER JANUARY 2006
APRIL 2007

©COPYRIGHT 2007 T.G.SCHMEISER CO., INC.

INTRODUCTION

Your Schmeiser V-Blade Leveler is designed to give you many years of dependable service. This manual has been prepared to instruct you in the safe and efficient operation of this machine. Read and study it thoroughly. Follow all instructions carefully.

Should your V-Blade Leveler require replacement parts, go to your Schmeiser dealer. Always order genuine Schmeiser replacement parts.

It is important that you complete and send in your Warranty Card because it is not valid unless it is on file at Schmeiser. If you need information not contained in this manual, contact your Schmeiser dealer.

Space has been provided below for you to record the model number and serial number of your V-Blade Leveler. Be sure to bring this information with you to your dealer when ordering parts or attachments for your V-Blade Leveler.

Thank you for buying a Schmeiser V-Blade Leveler.

SERIAL NUMBER _____

MODEL NUMBER _____

DATE PURCHASED _____

DEALER NAME _____

TABLE OF CONTENTS

Introduction	2
Table of Contents.....	3
Safety Sheet.....	4
V-Blade Leveler Assembly.....	5
V-Blade Leveler Front and Rear Blades.....	6
V-Blade Leveler Side Blades.....	7
V-Blade Leveler Berm Scraper Assembly.....	8
V-Blade Leveler Rear Roller Assembly (for Roller Models only).....	9
Limited Warranty.....	10
V-Blade Leveler Maintenance and Repair Record.....	11
Notes.....	12

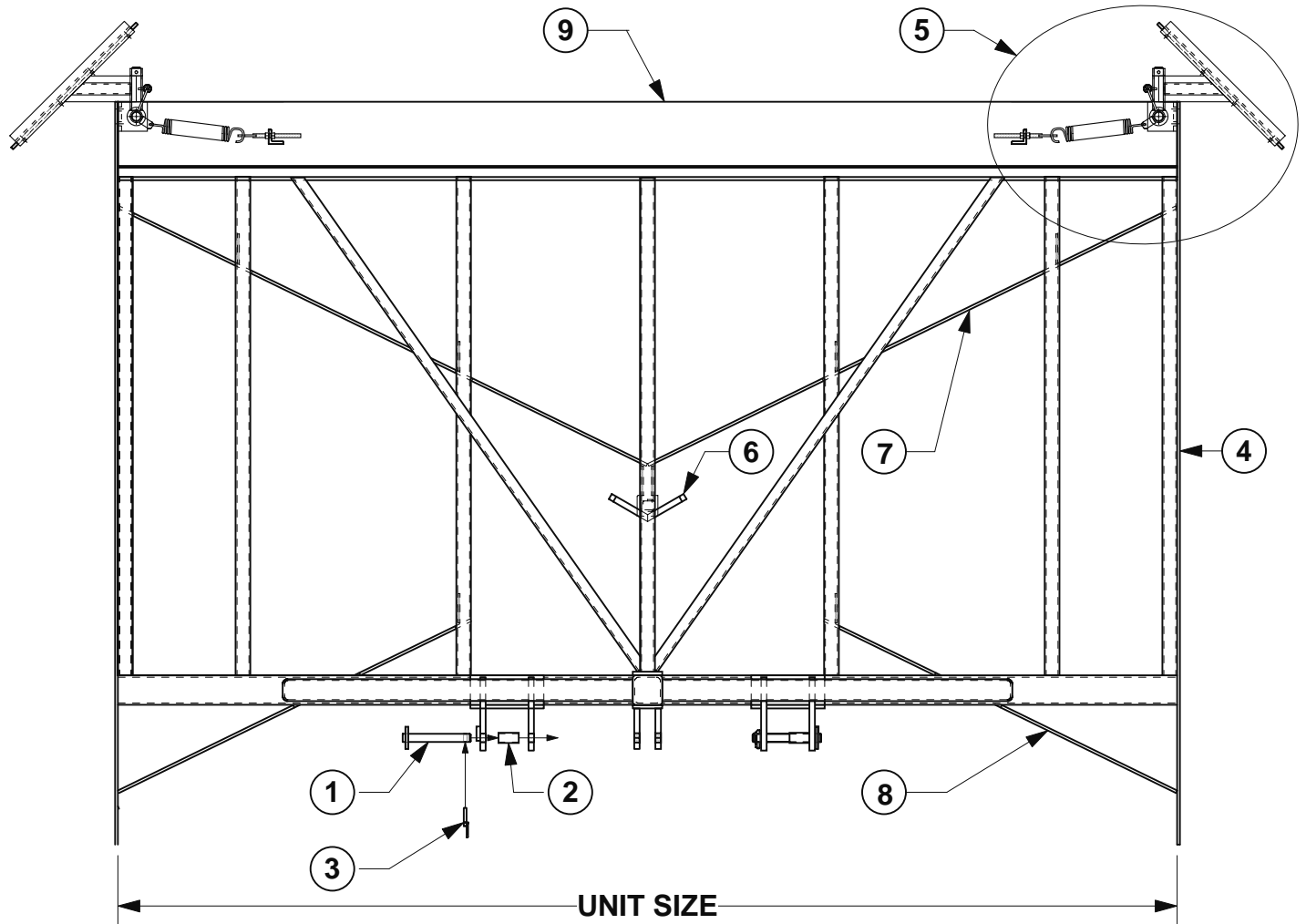
SAFETY

The safe operation of any machinery is an important concern to farmers and manufactures. There are obvious and hidden potential hazards involved in the operation of this implement. Carefully read and follow all safety precautions before operation. Serious injury or death may occur unless care is taken to insure the safety of both the operator and any other persons in the area.

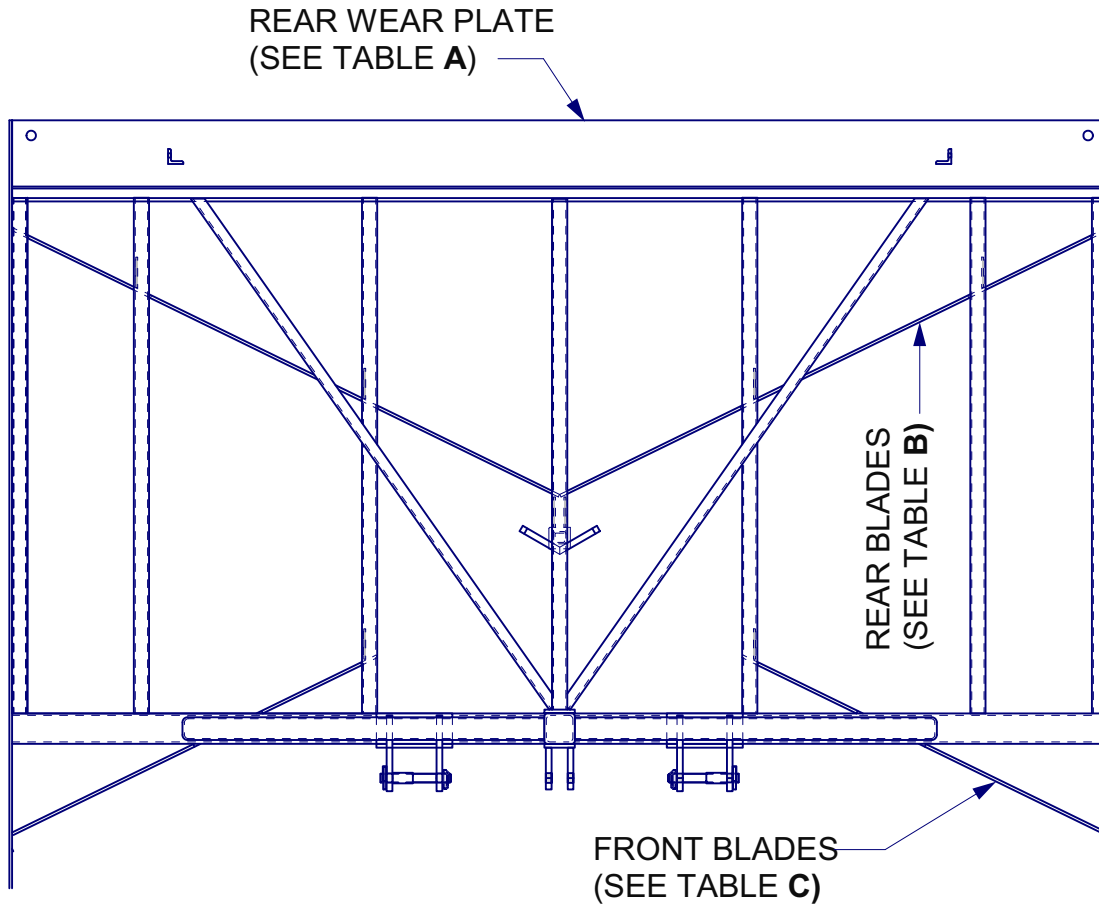
1. This is a rear-mounted implement that removes weight from the front wheels of the tractor and can cause loss of steering with possible overturn. Add front-end weight until at least 20% of tractor original weight is on the front wheels when leveler is in transport position for steering and prevention of bodily injury. When on rough surfaces, transport slowly to prevent bouncing front wheels off surface with loss of steering and possible injury.
2. Be especially careful when transporting on slopes. Never turn uphill in transport except at slow speed and a low rate of turn. Never transport or operate this machine on steep slopes.
3. Never permit anyone to ride on or walk beside the implement when moving.
4. Never permit anyone to ride on tractor when implement is being moved.
5. Never allow anyone to be near the implement when performing operating functions with implement or tractor.
6. Do not enter tractor when tractor is moving. Avoid serious injury or death from contact with rotating tires. Enter and exit the tractor only when it is completely stopped.
8. When in transport, use accessory lights and devices for adequate warning to operators of other vehicles. Comply with all Federal, State and local laws when traveling on public roads.
9. Use "Slow Moving Vehicle" emblem for warning vehicles approaching from the rear.
10. When transporting, remember that the implement may be wider than your tractor and extreme care must be taken to allow for safe clearance.
11. Never allow inexperienced or untrained personnel to operate the implement or tractor without supervision.
12. When using compressed air to clean implement, wear safety glasses.
13. Check all fasteners for tightness or damage before and after operation. Repair immediately if required.
14. Store implement in a stable position.



SERIAL NUMBER: _____



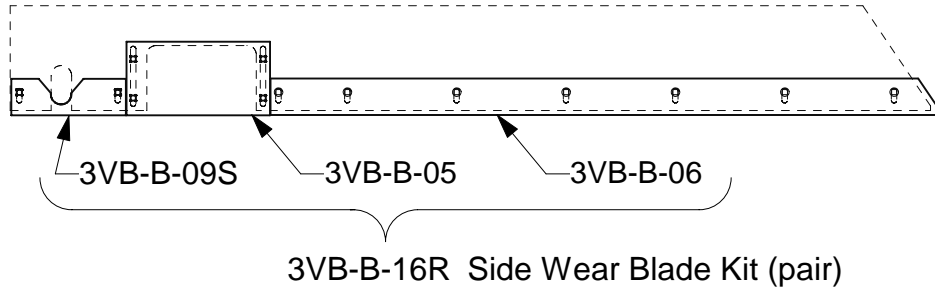
<u>Ref No.</u>	<u>Part No.</u>	<u>Description</u>	<u>Qty.</u>
1.	3VB-E	V-Blade Leveler Pull Pin (Lower Link)	2
2.	GBH-C23L01	Category 2 & 3 Lift Arm Bushing	2
3.	GPN-070LYN	7/16" Lynch Pin	2
4.	-----	Side Blades - See Side Blades Drawing for all models	1 pair
5.	3VB-D	Berm Scrapers - See Berm Scraper Assembly Drawing	1 pair
6.	3VB-C	Middle Buster	1
7.	-----	Rear Blades - See Front and Rear Blades Page	1 pair
8.	-----	Front Blades - See Front and Rear Blades Page	1 pair
9.	-----	Rear Wear Plate - See Front and Rear Blades Page	1



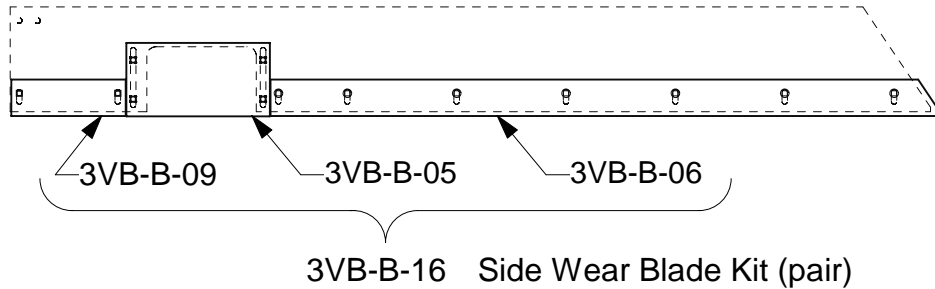
UNIT SIZE, Ft.	TABLE A	TABLE B	TABLE C
	REAR WEAR PLATE	REAR BLADES, pair	FRONT BLADES, pair
8	3VB-B-01-08	3VB-B-02-08	3VB-B-03-08
9	3VB-B-01-09	3VB-B-02-09	3VB-B-03-09
10	3VB-B-01-10	3VB-B-02-10	3VB-B-03-10
11	3VB-B-01-11	3VB-B-02-11	3VB-B-03-11
12	3VB-B-01-12	3VB-B-02-12	3VB-B-03-12
13	3VB-B-01-13	3VB-B-02-13	3VB-B-03-13
14	3VB-B-01-14	3VB-B-02-14	3VB-B-03-14
15	3VB-B-01-15	3VB-B-02-15	3VB-B-03-15
16	3VB-B-01-16	3VB-B-02-16	3VB-B-03-16
17	3VB-B-01-17	3VB-B-02-17	3VB-B-03-17
18	3VB-B-01-18	3VB-B-02-18	3VB-B-03-18



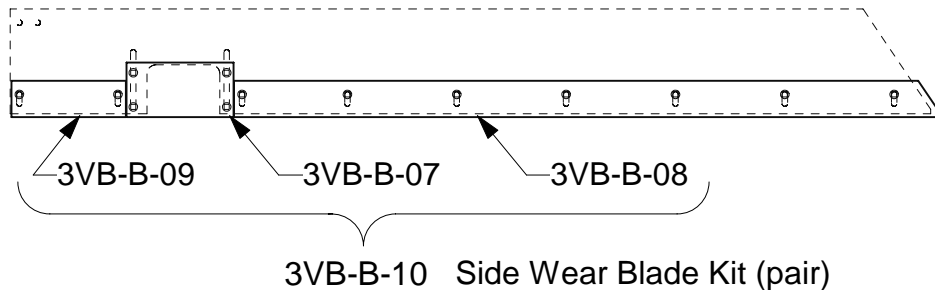
16" TRAP DOOR WITH ROLLER STYLE (August 2006 and after)



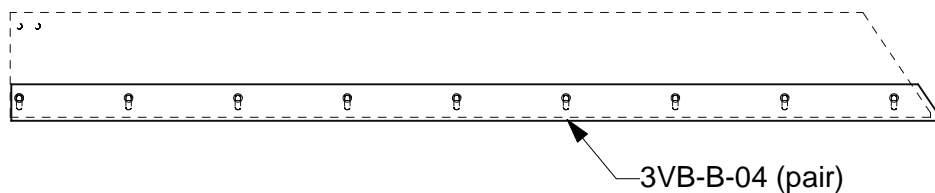
16" TRAP DOOR STYLE (April 2005 and after)



12" TRAP DOOR STYLE (March 2005 or earlier)

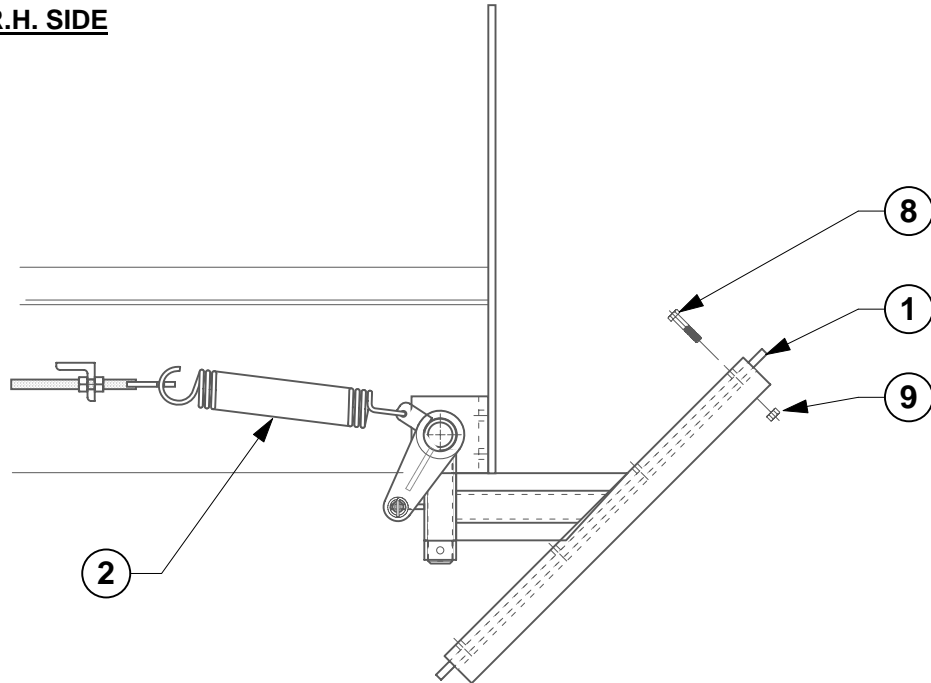


NO TRAP DOOR STYLE (March 2005 or earlier)

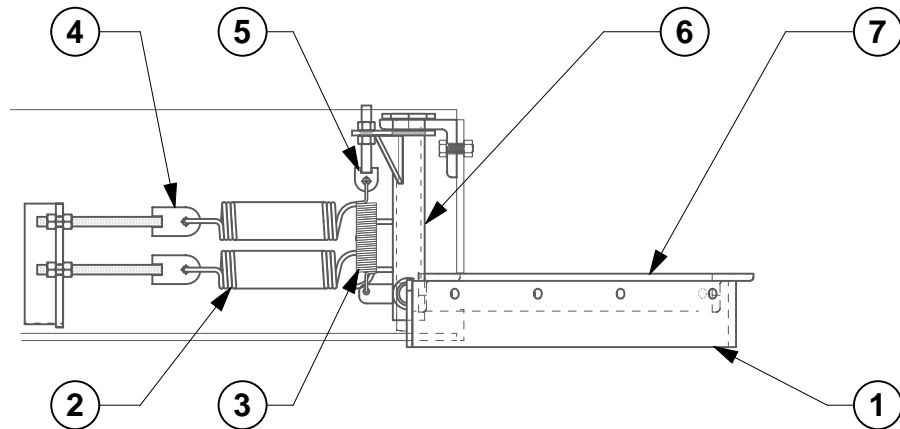




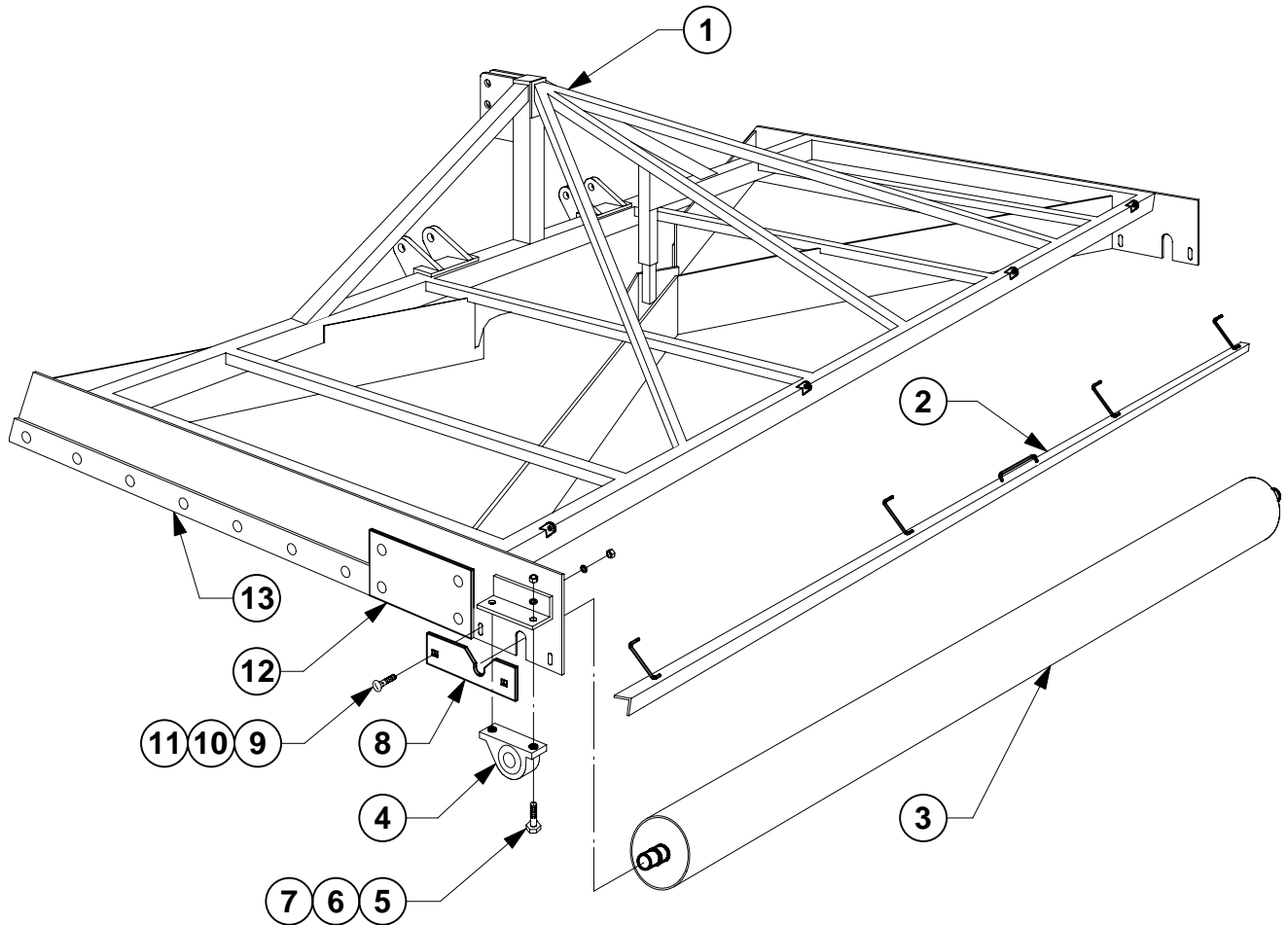
TOP VIEW R.H. SIDE



END VIEW R.H. SIDE



<u>Ref No.</u>	<u>Part No.</u>	<u>Description</u>	<u>Qty. per Pair</u>
1.	3VB-00D205	Berm Scraper Wear Plate	2
2.	GSR-EX0201	Berm Scraper Spring 1.968" x 9.5" x 0.215"W	4
3.	GSR-EX0101	Berm Scraper Spring 1.062" x 7" x 0.12"W	2
4.	3VB-00D300	Berm Scraper Horizontal Adj. Rod	4
5.	3VB-00D400	Berm Scraper Vertical Adj. Rod	2
6.	3VB-00D100L(R)	Berm Scraper Pivot Shaft Weldment LH (RH)	2
7.	3VB-00D200L(R)	Berm Scraper Blade Weldment LH (RH)	2
8.	CSNC506028	3/8" X 1-3/4" Gr.5 Cap Screw	8
9.	HXNUT-06NC	3/8" NC Hex Nut	8



<u>Ref No.</u>	<u>Part No.</u>	<u>Description</u>	<u>Qty. per Unit</u>
1.	3VB-(00)A100	V-Blade Leveler Main Frame Roller Style (specify size)	1
2.	-----	V-Blade Leveler Mud Scraper (specify size)	1
3.	VR08(00)	V-Blade Leveler Rear Roller (specify size)	1
4.	TPP3150	1-11/16" Pillow Block Bearing (for up to 15 Ft. Units)	2
	TPP3155	1-15/16" Pillow Block Bearing (for 16 Ft. and up Units)	2
5.	CSNC508036	1/2" X 2-1/4" Gr.5 NC Cap Screw (TPP3150)	4
	CSNC510040	5/8" X 2-1/2" Gr.5 NC Cap Screw (TPP3155)	4
6.	LWASHER-08	1/2" Lock Washer (TPP3150)	4
	LWASHER-10	5/8" Lock Washer (TPP3155)	4
7.	HXNUT-08NC	1/2" NC Hex Nut (TPP3150)	4
	HXNUT-10NC	5/8" NC Hex Nut (TPP3151)	4
8.	3VB-00B009S	Rear Side Blade for Roller Models (see Side Blades page for all models)	2
9.	CBNC508024	1/2" X 1-1/2" NC Carriage Bolt	26
10.	LWASHER-08	1/2" Lock Washer	26
11.	HXNUT-08NC	1/2" NC Hex Nut	26
12.	3VB-00B005	Trap Door Piece (see Side Blades page for all models)	2
13.	3VB-00B006	Front Side Blade (see Side Blades page for all models)	2

T.G. SCHMEISER CO., INC.®

Limited Warranty Statement

T. G. Schmeiser Co., Inc. warrants each new Schmeiser® product to be free from defects in material and workmanship. This warranty is applicable only for the normal service life expectancy of the product or components, not to exceed twelve (12) consecutive months from the date of delivery of the new Schmeiser product to the original purchaser.

Genuine T. G. Schmeiser Co., Inc. replacement parts and components will be warranted for 365 days from date of purchase, or the remainder of the original equipment warranty period, whichever is longer.

Under no circumstances will it cover any merchandise or components thereof, which, in the opinion of the company, has been subjected to misuse, unauthorized modifications, alteration, an accident or if repairs have been made with parts other than those obtainable through T. G. Schmeiser Co., Inc.

The Company in no way warrants engines, batteries, cylinders, tires or other trade accessories since these items are warranted separately by their respective manufacturer. Expendable components such as points, shanks, blades, rings, bearings, teeth, and the like are excluded from this warranty.

Our obligation under this warranty shall be limited to repairing or replacing, free of charge to the original purchaser, any part that, in our judgment, shall show evidence of such defect, provided further that such part shall be returned within thirty (30) days from date of failure to T. G. Schmeiser Co., Inc., routed through the dealer and distributor from whom the purchase was made, transportation charges prepaid.

This warranty shall not be interpreted to render T. G. Schmeiser Co., Inc. liable for injury or damages of any kind or nature to person or property. This warranty does not extend to the loss of crops, loss because of delay in harvesting, or any expense or loss incurred for labor, substitute machinery, rental or for any other reason.

Except as set forth above, **T. G. Schmeiser Co., Inc. shall have no obligation or liability of any kind on account of any of its equipment and shall not be liable for special or consequential damages. T. G. Schmeiser Co., Inc. makes no other warranty, expressed or implied, and, specifically, T. G. Schmeiser Co., Inc. disclaims any implied warranty or merchantability or fitness for a particular purpose. Some states or provinces do not permit limitations or exclusions of implied warranties or incidental or consequential damages, so the limitations or exclusion in this warranty may not apply.**

This warranty is subject to any existing conditions of supply, which may directly affect our ability to obtain materials or manufacture replacement parts.

T. G. Schmeiser Co., Inc. reserves the right to make improvements in design or changes in specifications at any time, without incurring any obligation to owners of units previously sold.

No one is authorized to alter, modify or enlarge this warranty nor the exclusion, limitations and reservations.

**WARRANTY VOID IF NOT REGISTERED
WITHIN 30 DAYS OF PURCHASE DATE**

Notes

A large rectangular box with a black border, containing 18 horizontal gray bars for writing notes. The bars are arranged in a repeating pattern of a gray bar followed by a white bar, starting from the top and ending with a gray bar at the bottom.